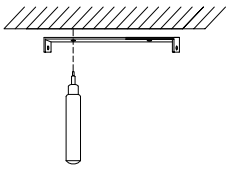
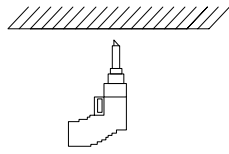


Installation instructions

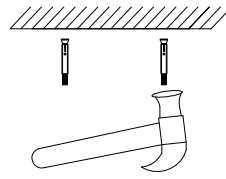
Installation of hanging plate



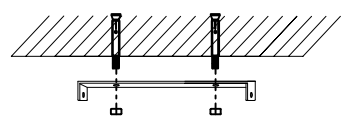
Step 1: draw a mark on the ceiling with the hanging board as a reference



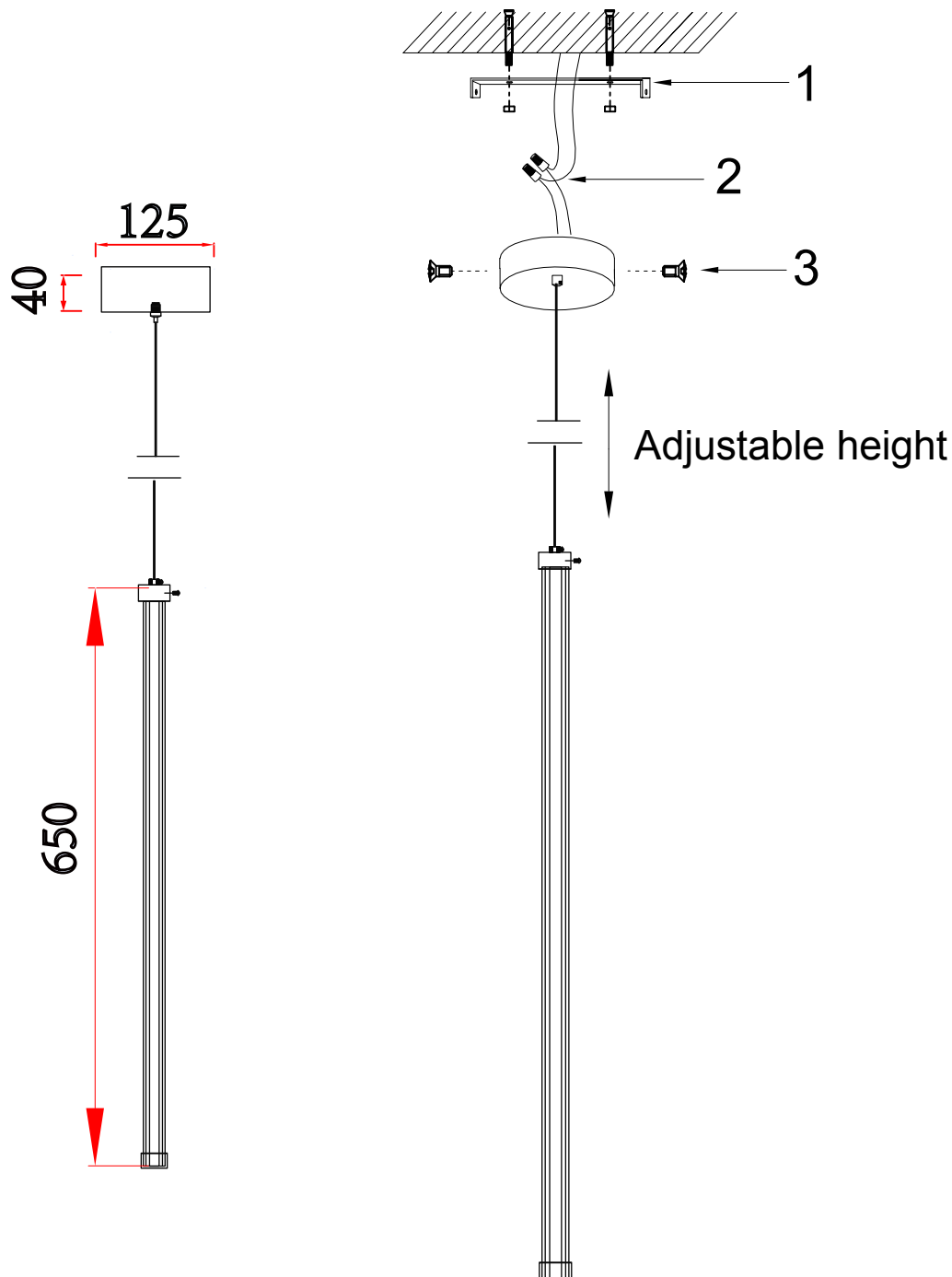
Step 2: drill the hanging plate hole on the ceiling with an electric drill



Step 3: tap the expansion screw into the drilled hole



Step 4: fix the hanging plate on the expansion screw and tighten it with nuts



1. Fix the lamp hanging plate on the ceiling with accessory screws
2. The lamp wire is connected to the main power line.
3. Install the lamp on the fixed hanging plate with screws.