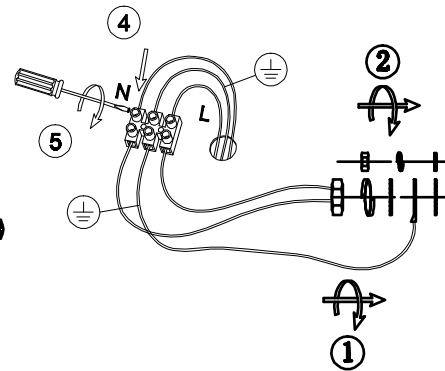
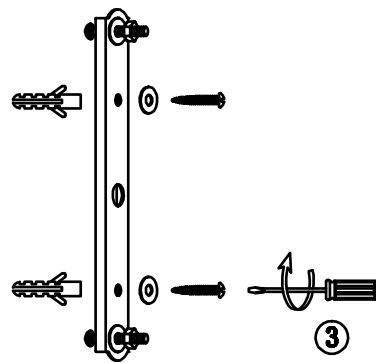
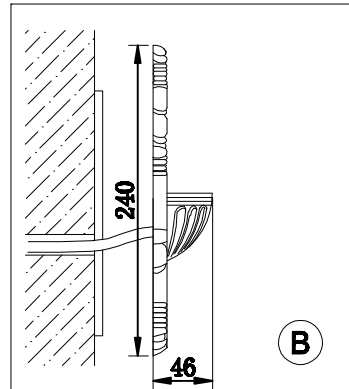
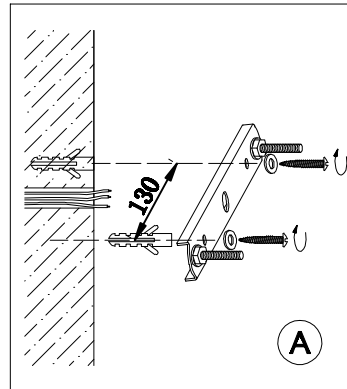


# INSTALLATION INSTRUCTION ODEON LIGHT ART.2879/1W



**CR2879**

**CR2880**

**M2879**

**G2879**

