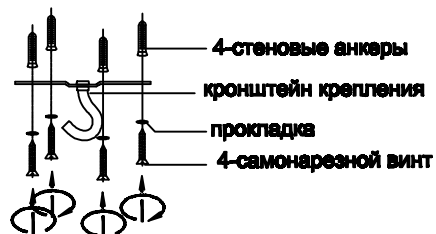
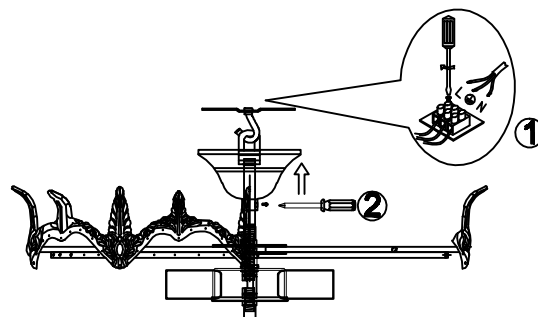
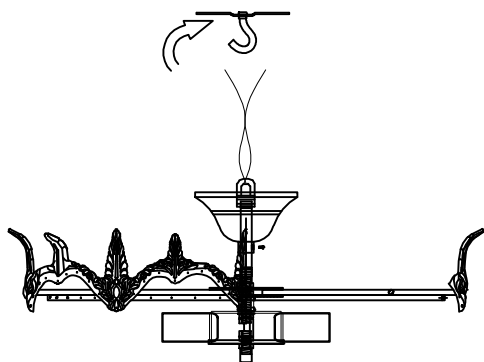
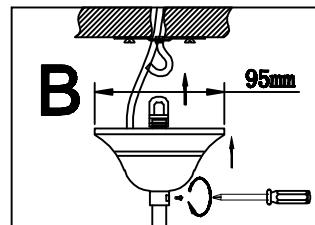
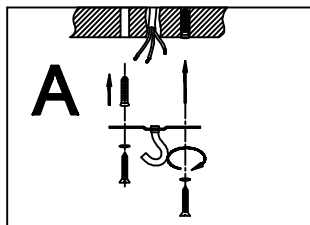


# INSTALLATION INSTRUCTION

## ART.2812/5C ODEON LIGHT

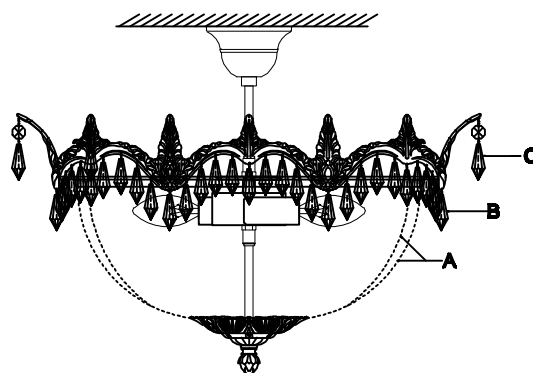
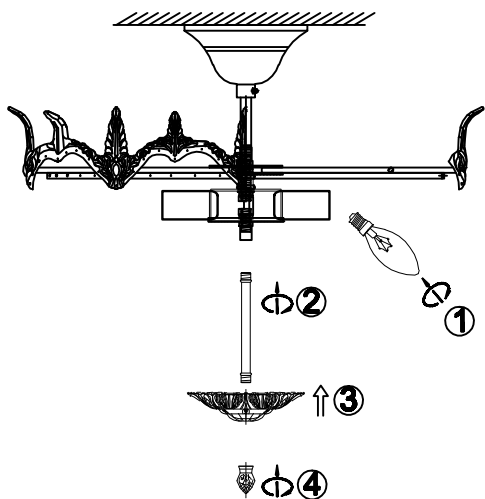


1



2

3



A		28
B		80
C		16

4

5