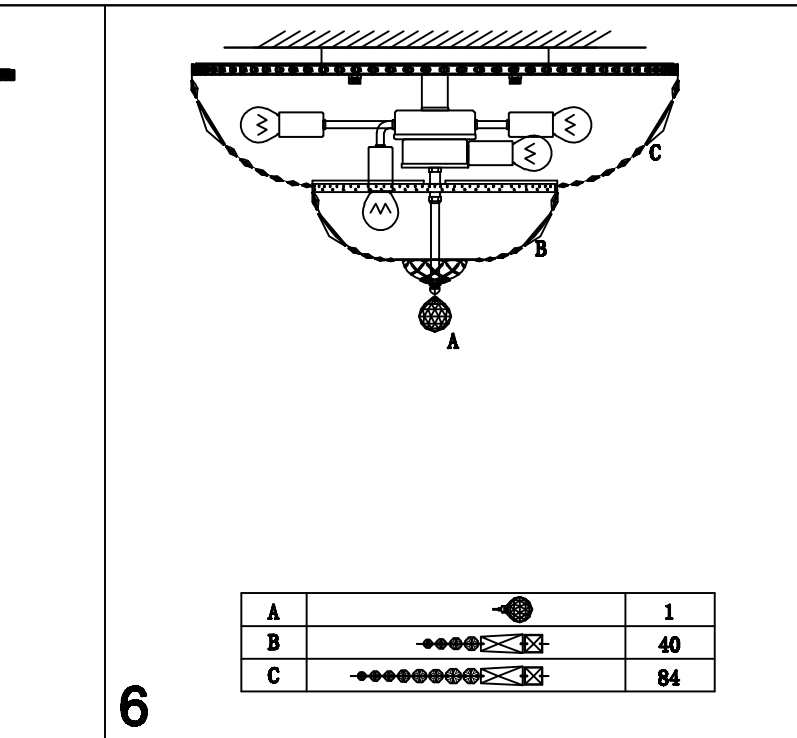
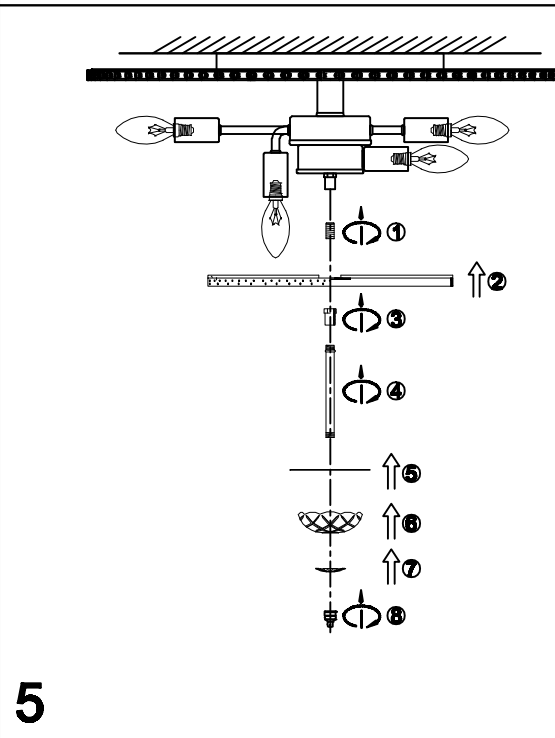
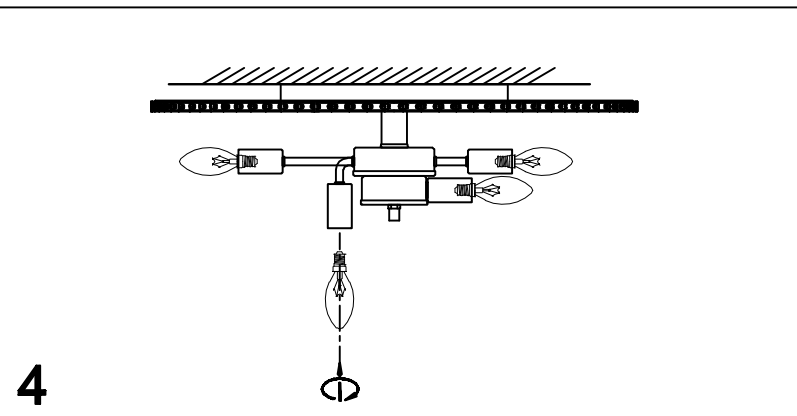
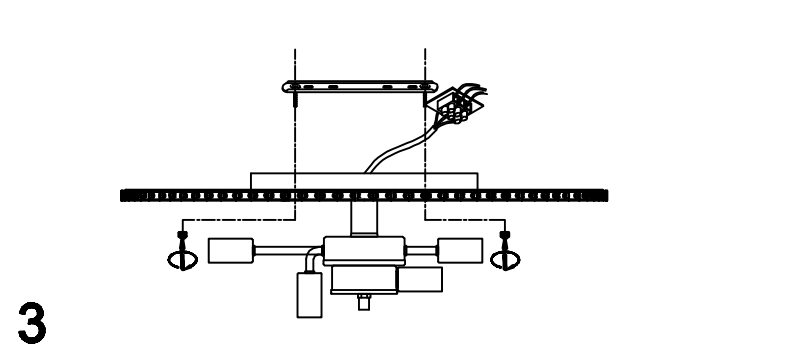
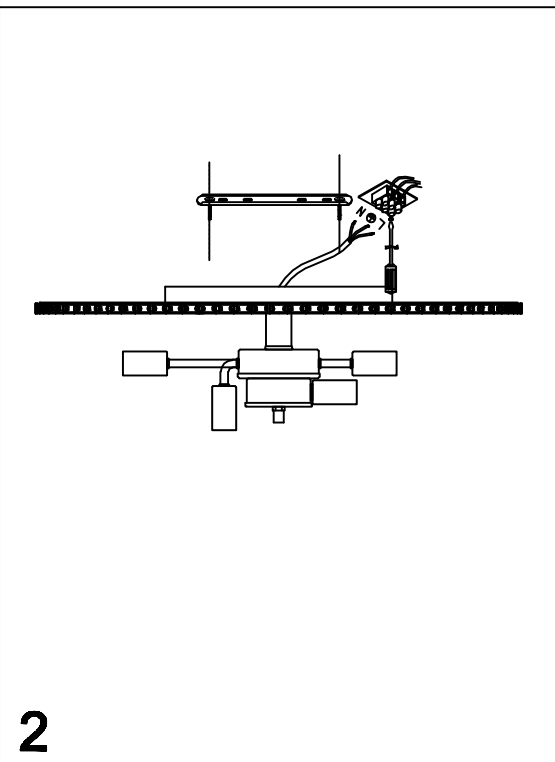
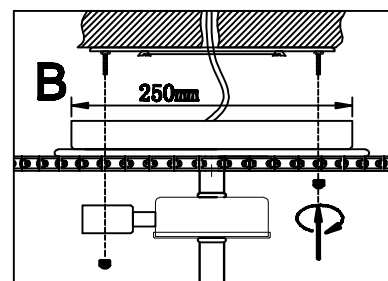
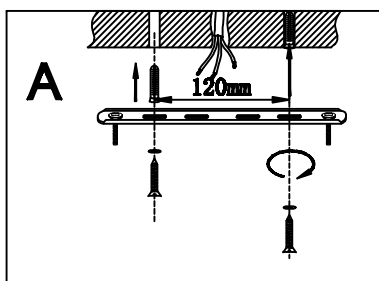
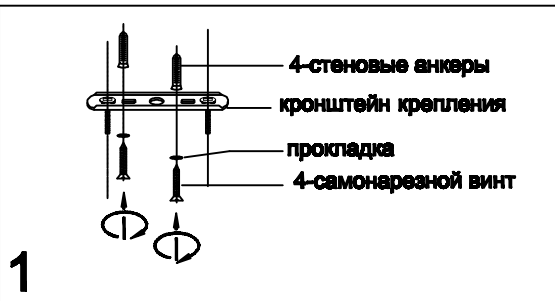


INSTALLATION INSTRUCTION

ART.2811/16C ODEON LIGHT



A		1
B		40
C		84