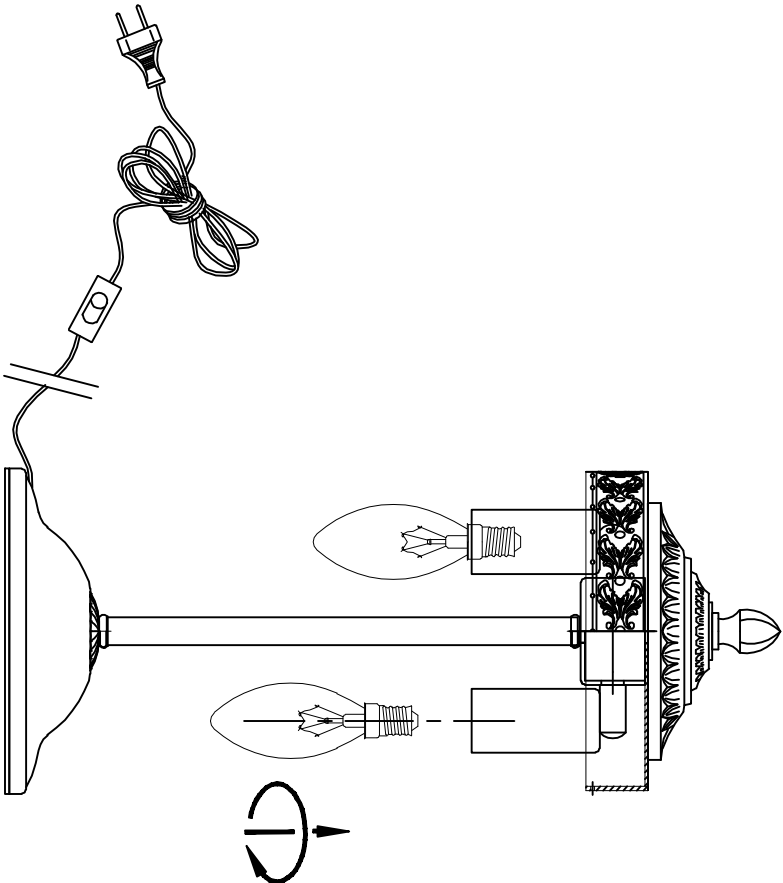


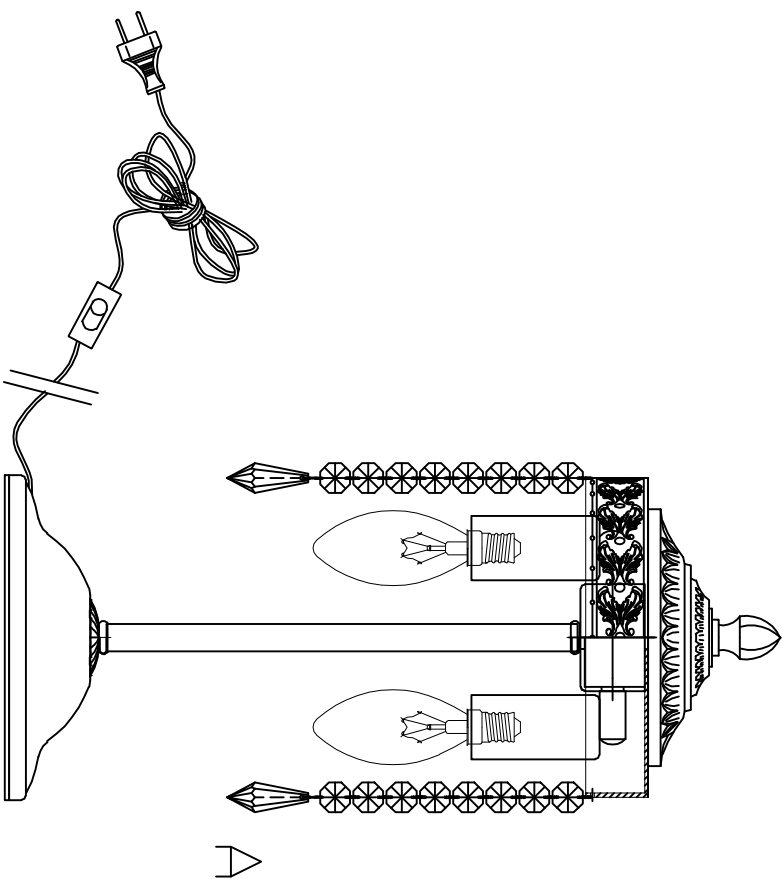
INSTALLATION INSTRUCTION


ART.2808/2T ODEON LIGHT

1



2



A		30
---	---	----