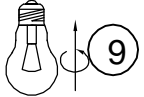
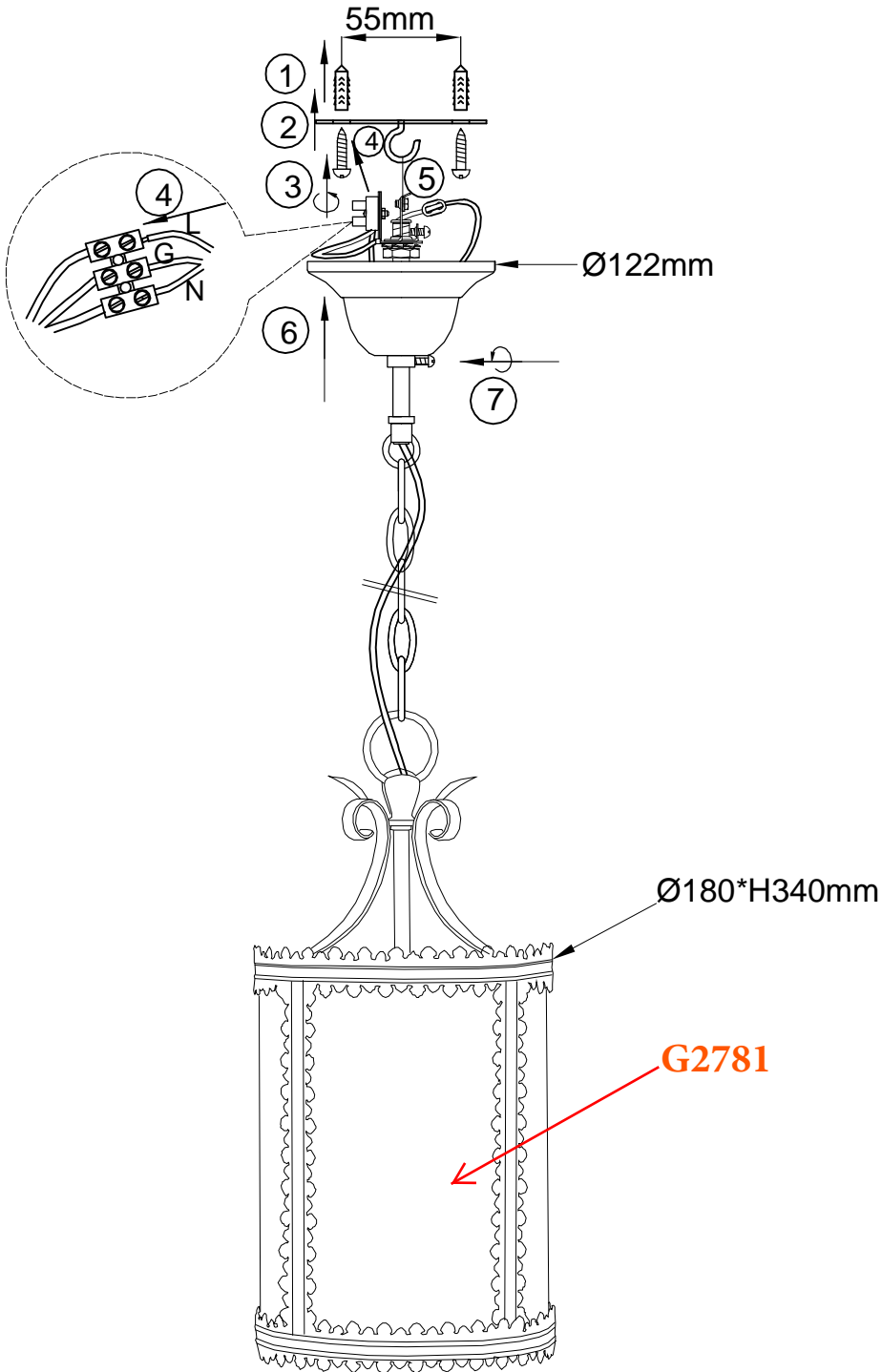


# INSTALLATION INSTRUCTION ODEON LIGHT ART.2781/1



.230V~50Hz  
.E27 1X Max 60W