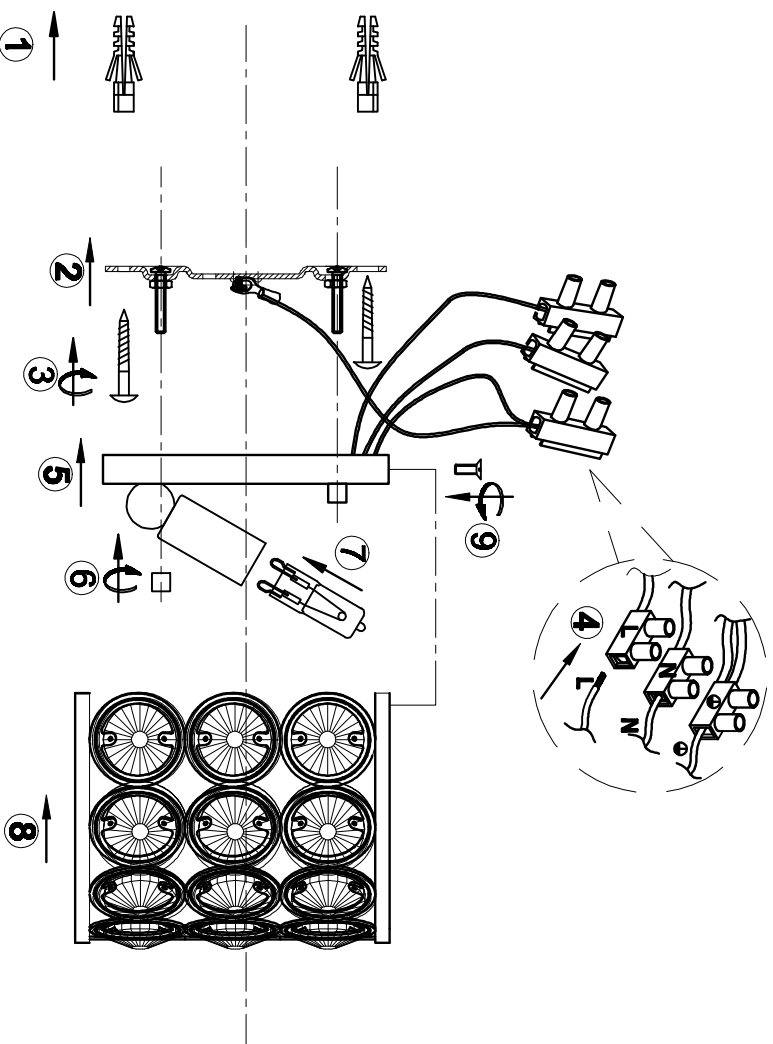


ODEON LIGHT INSTALLATION INSTRUCTION

Item No. : 2758/2W



FEATURE

- Lamp Type: G9 2XMAX. 42W 220-240V ~ 50Hz
The lamp can be only indoor used.

If in doubt, consult a qualified electrician or contact your retail outlet. Ensure that you always install the fitting to the relevant regulations. Certain regulations indicate that lighting fittings should be installed by a qualified electrician.

