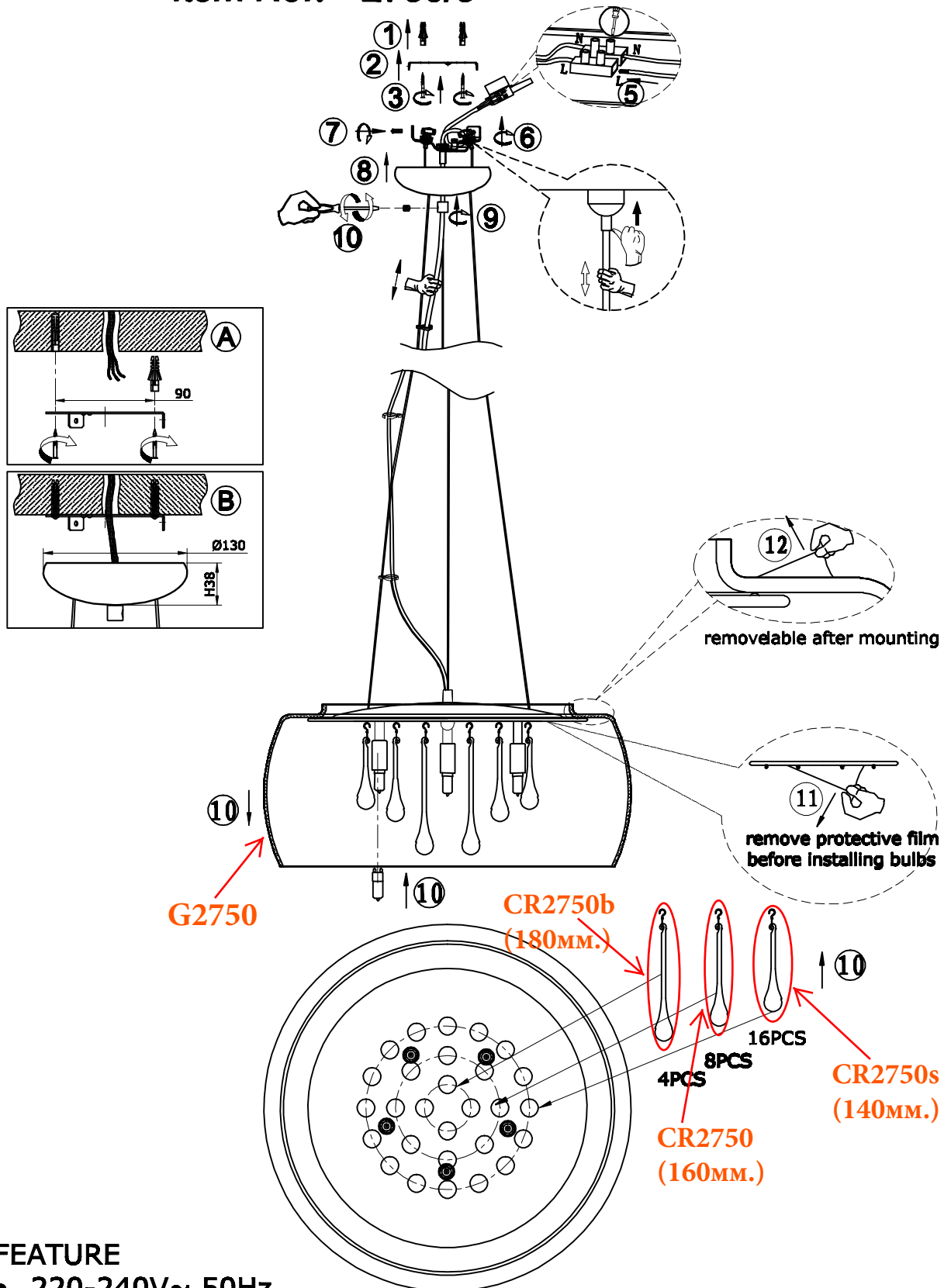


ODEON LIGHT

INSTALLATION INSTRUCTION

Item No.: 2750/5



FEATURE

- 220-240V~ 50Hz
- Lamp Type: G9 \times MAX 42W

The lamp can be only indoor used.

If in doubt, consult a qualified electrician or contact your retail outlet. Ensure that you always install the fitting to the relevant regulations. Certain regulations indicate that lighting fittings should be installed by a qualified electrician.