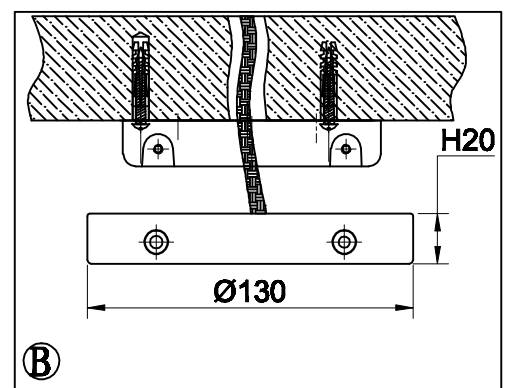
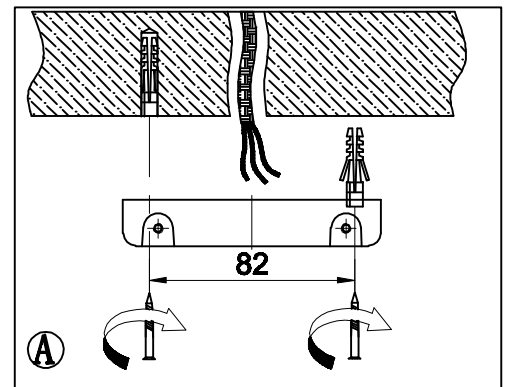
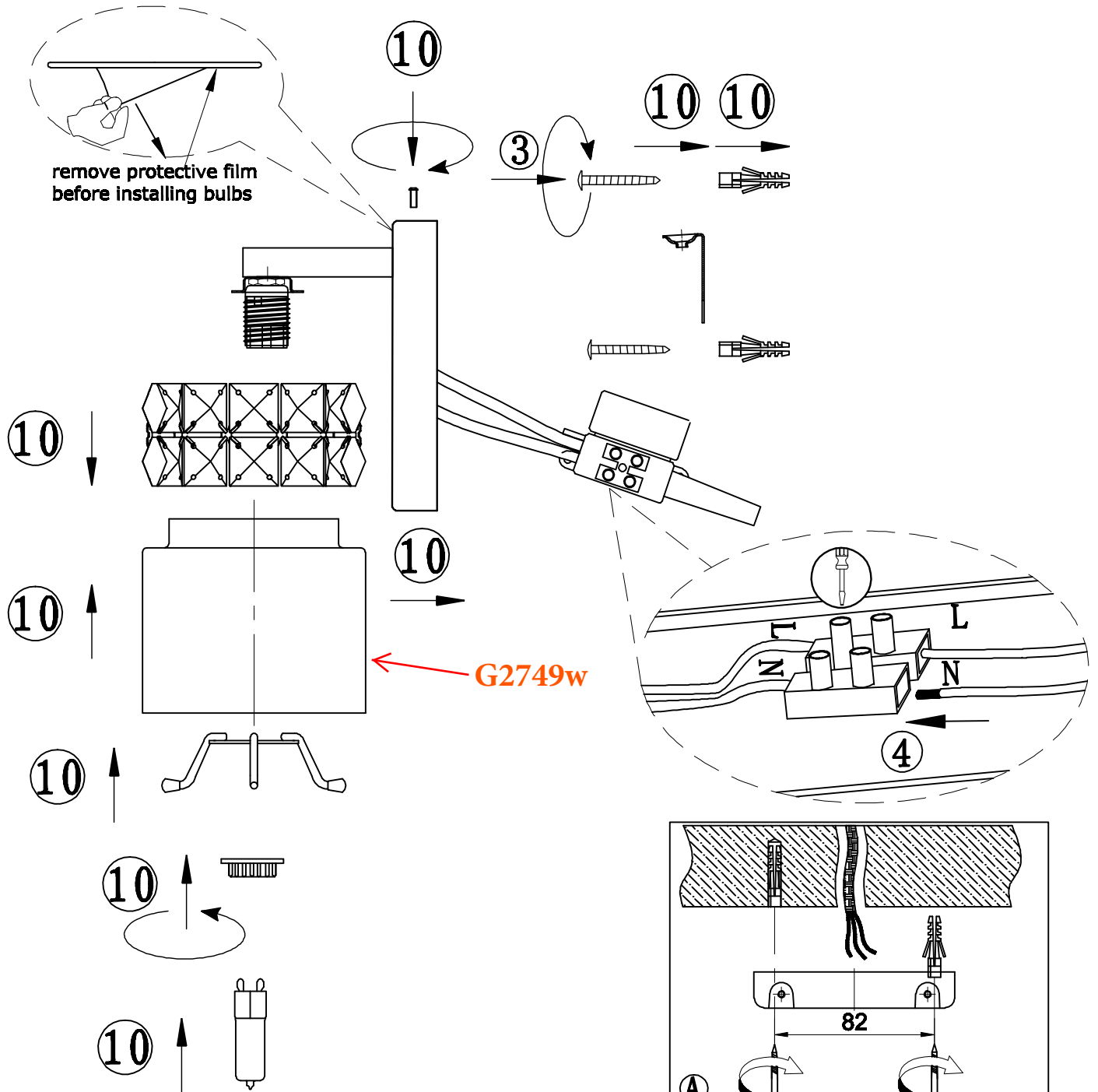


ODEON LIGHT INSTALLATION INSTRUCTION

Item No.: 2749/1W



FEATURE

- 220-240V ~ 50Hz
 - Lamp Type: G9 1× Max 53W
- The lamp can be only indoor used
 If in doubt, consult a qualified electrician
 or contact your retail outlet. Ensure that
 you always install the fitting to the
 relevant regulations. Certain regulations
 indicate that lighting fittings should be
 installed by a qualified electrician.