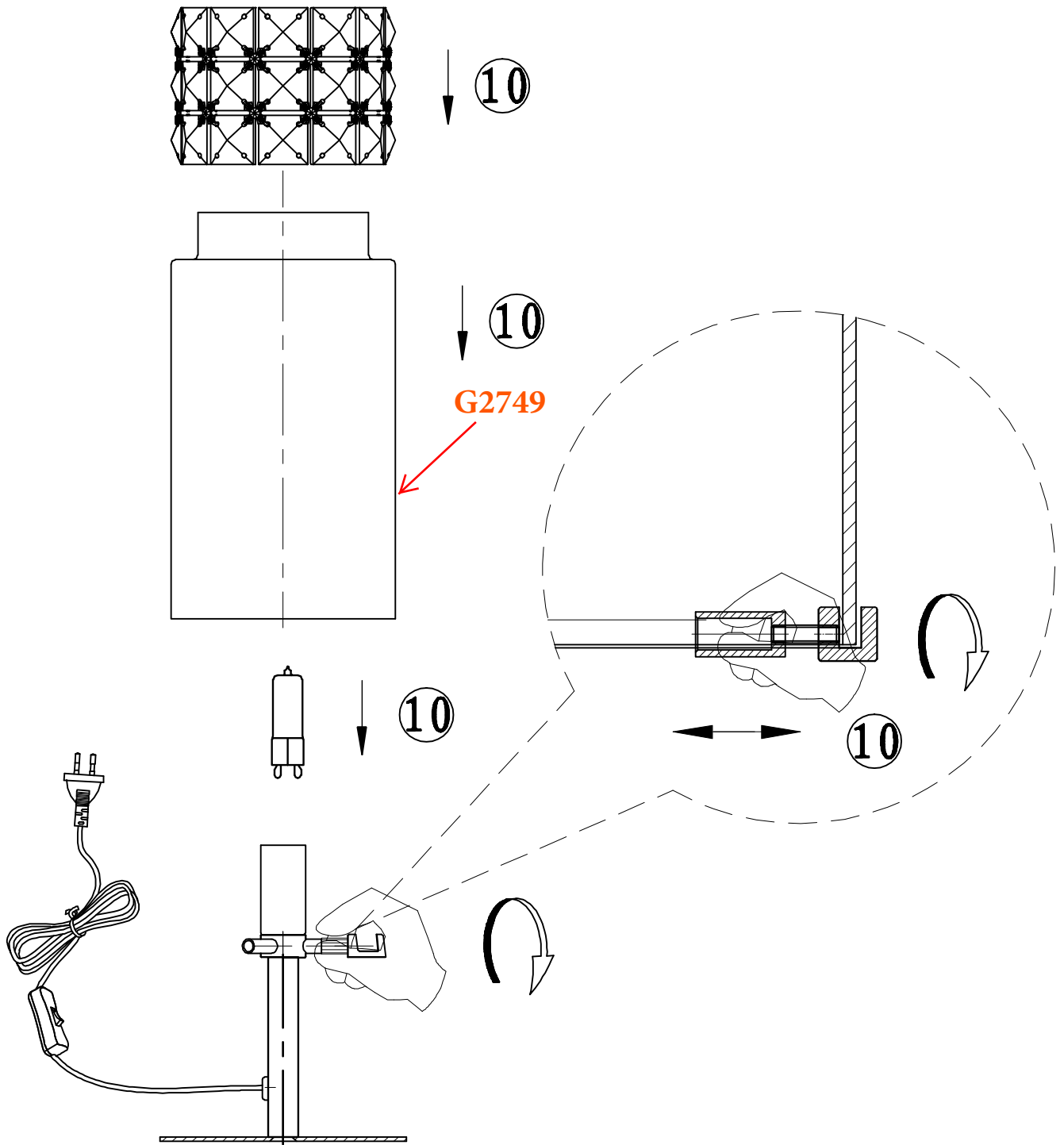


ODEON LIGHT INSTALLATION INSTRUCTION

Item No.: 2749/1T



FEATURE

●220-240V~50Hz

●Lamp Type: G9 1×MAX 53W

The lamp can be only indoor used

If the soft cable or wire of the lamp broken
it should be revised by the factory or its service
agent, whatever a professional to avoid danger.