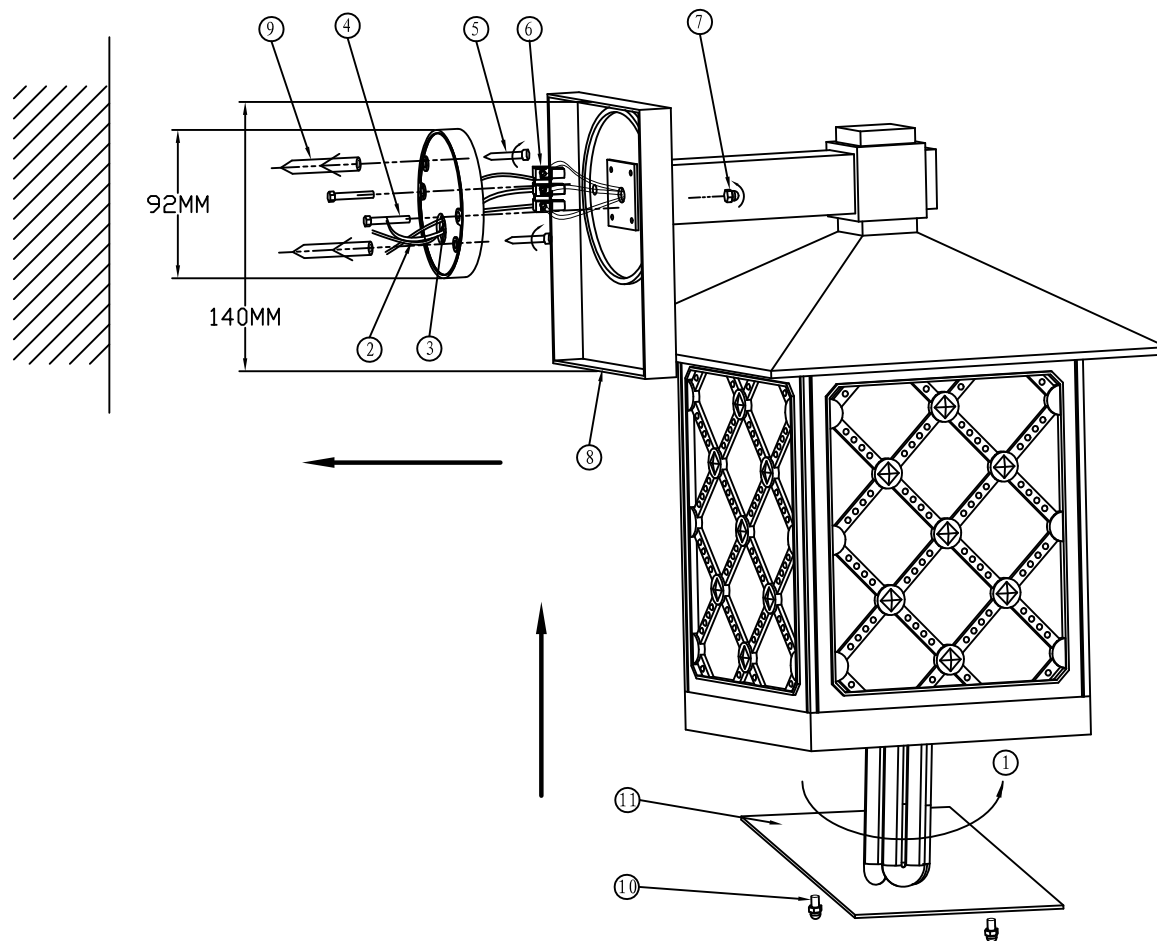


INSTALLATION INSTRUCTION ODEON LIGHT ART. 2644/1W 2648/1W  
2649/1WA 2747/1 W



### CAUTIONS FOR USE

- 1、 Rated voltage is 220-240V.
- 2、 Loosen two screws (10) , open the PC panel (11)
- 3、 Choose the suitable lamp (1) to the socket, and cover the PC panel with screws.
- 4、 Use screwdriver to drill two holes in the wall and put the plastic setscrews (9) on the holes, and insert hexnuts (4) through outlet box, and then fix the outlet box to the plastic setscrew and secure with tap screw (5)
- 5、 Thread the lead wire (2) of outlet box (3) , connect with wire terminal (6) and fit on the outlet box, please note polarity.
- 6、 Fix the canopy (8) on the outlet box with cap nut (7)
- 7、 Check if the installation is completed and turn on the power