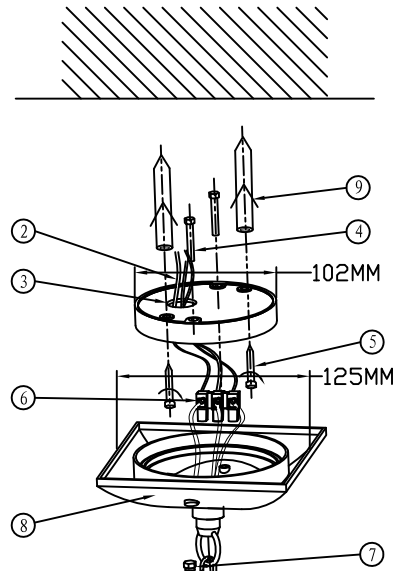


INSTALLATION INSTRUCTION ODEON LIGHT ART. 2644/1 2648/1  
2649/1 2747/1



CAUTIONS FOR USE

- 1、 Rated voltage is 220-240V.
- 2、 Loosen two screws (10) , and open the PC panel (11) ;
- 3、 Install suitable lamp (1) to the socket, and cover the PC panel with screws.
- 4、 Use screwdriver to drill two holes in the wall and put the plastic setscrews (9) on the holes, and insert two hexnuts (4) through outlet box, and then fix the outlet box to the plastic setscrew and secure with tap screws (5)
- 5、 Thread the lead wire (2) of outlet box (3) , connect with terminal block (6) and fit on the outlet box, please note polarity.
- 6、 Fix the canopy (8) on the outlet box with cap nuts (7)
- 7、 Check if the installation is completed and turn on the power

