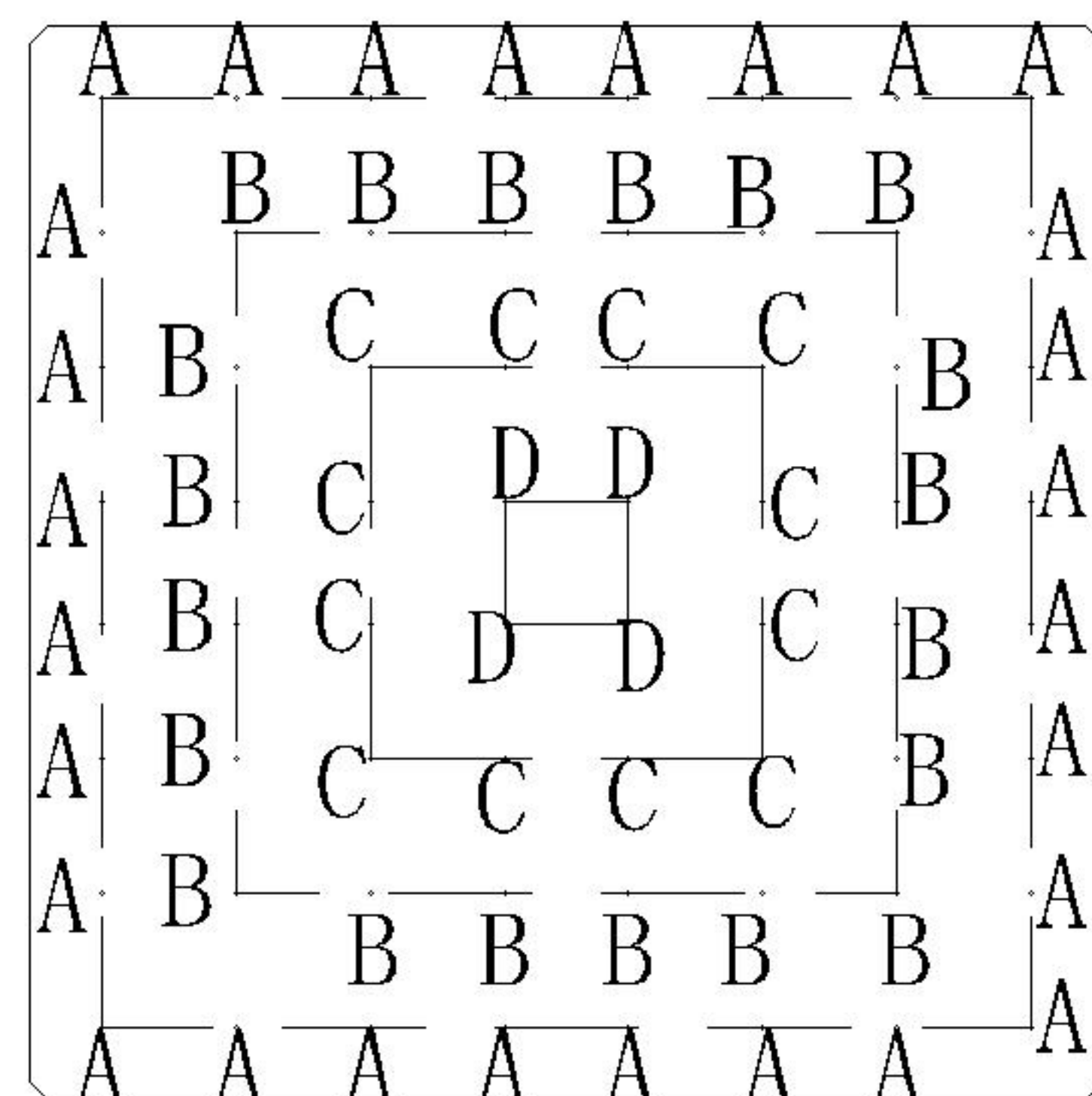
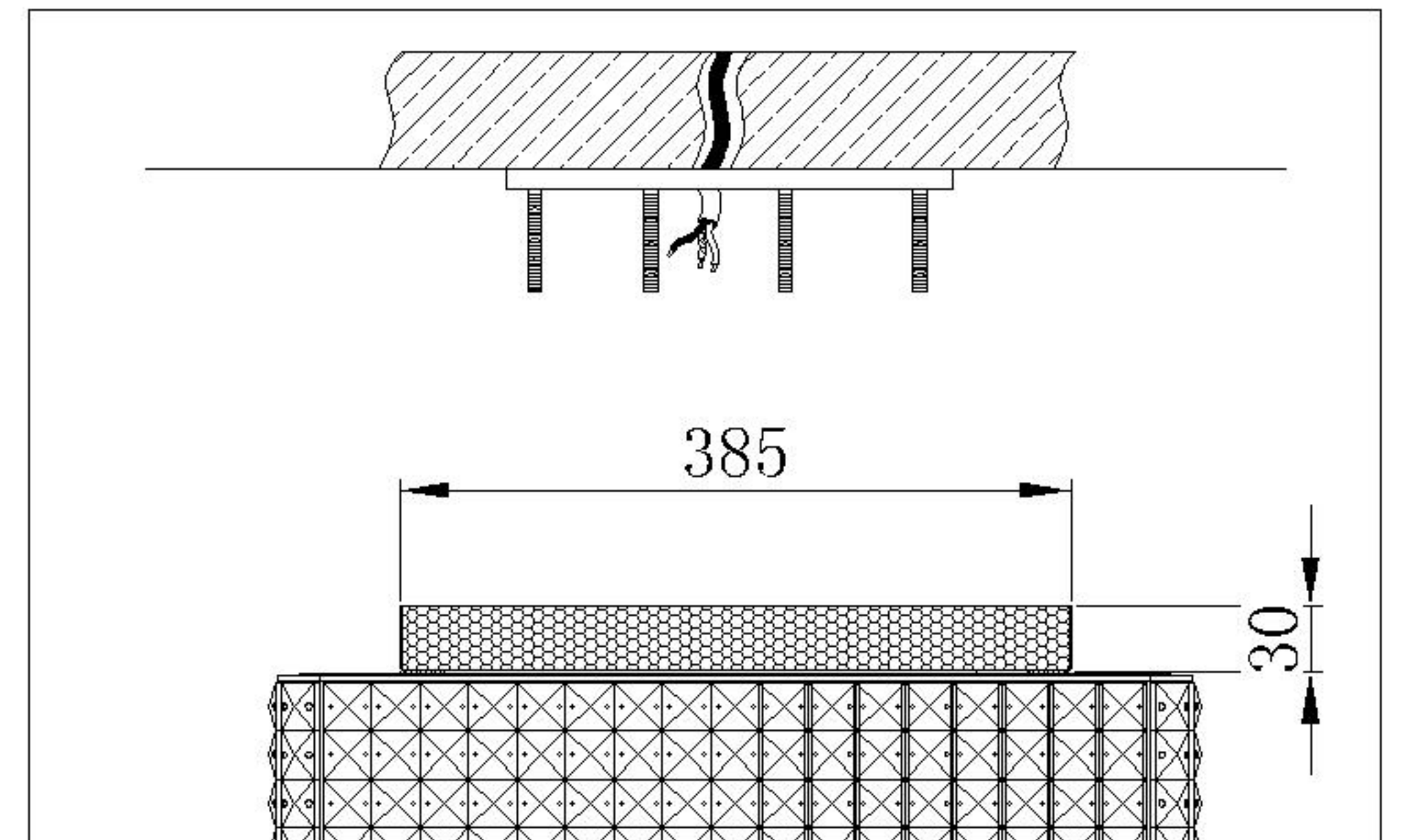
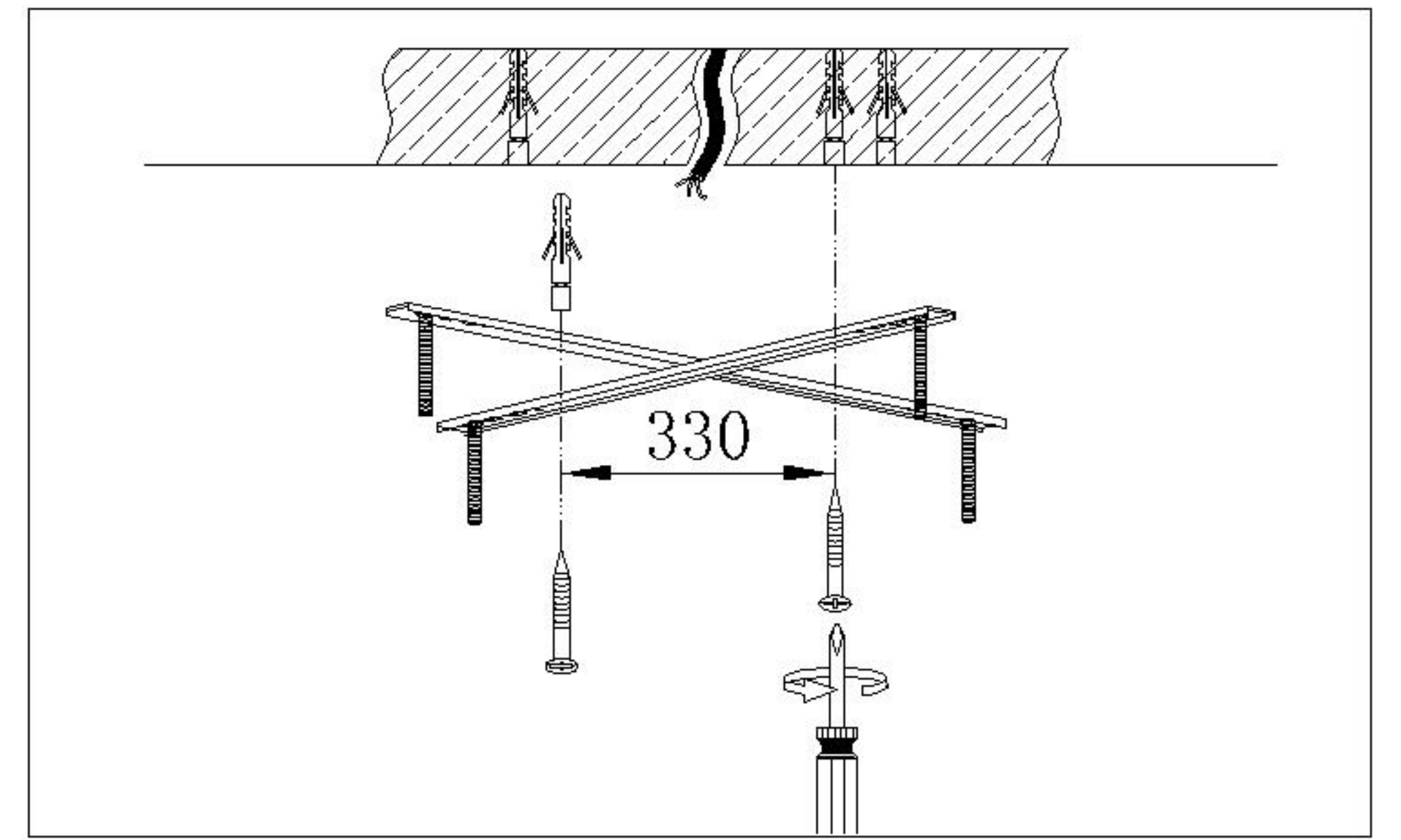
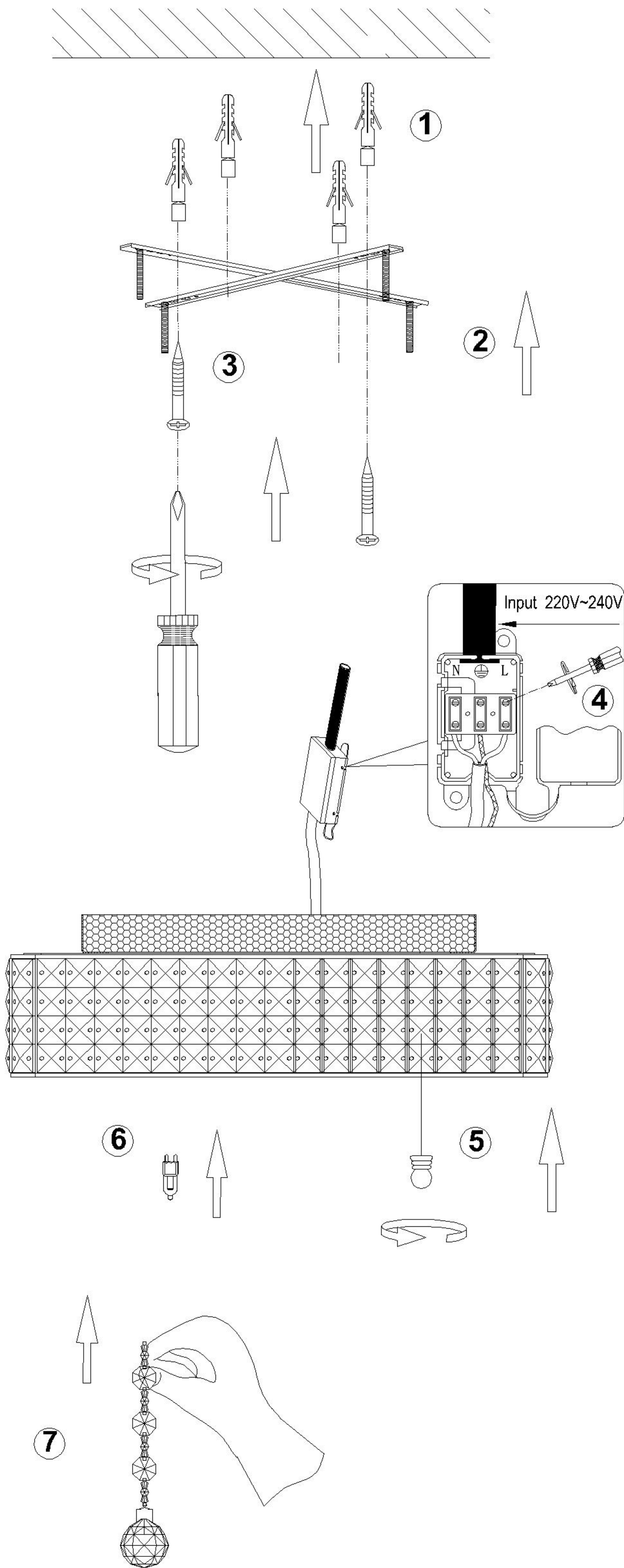
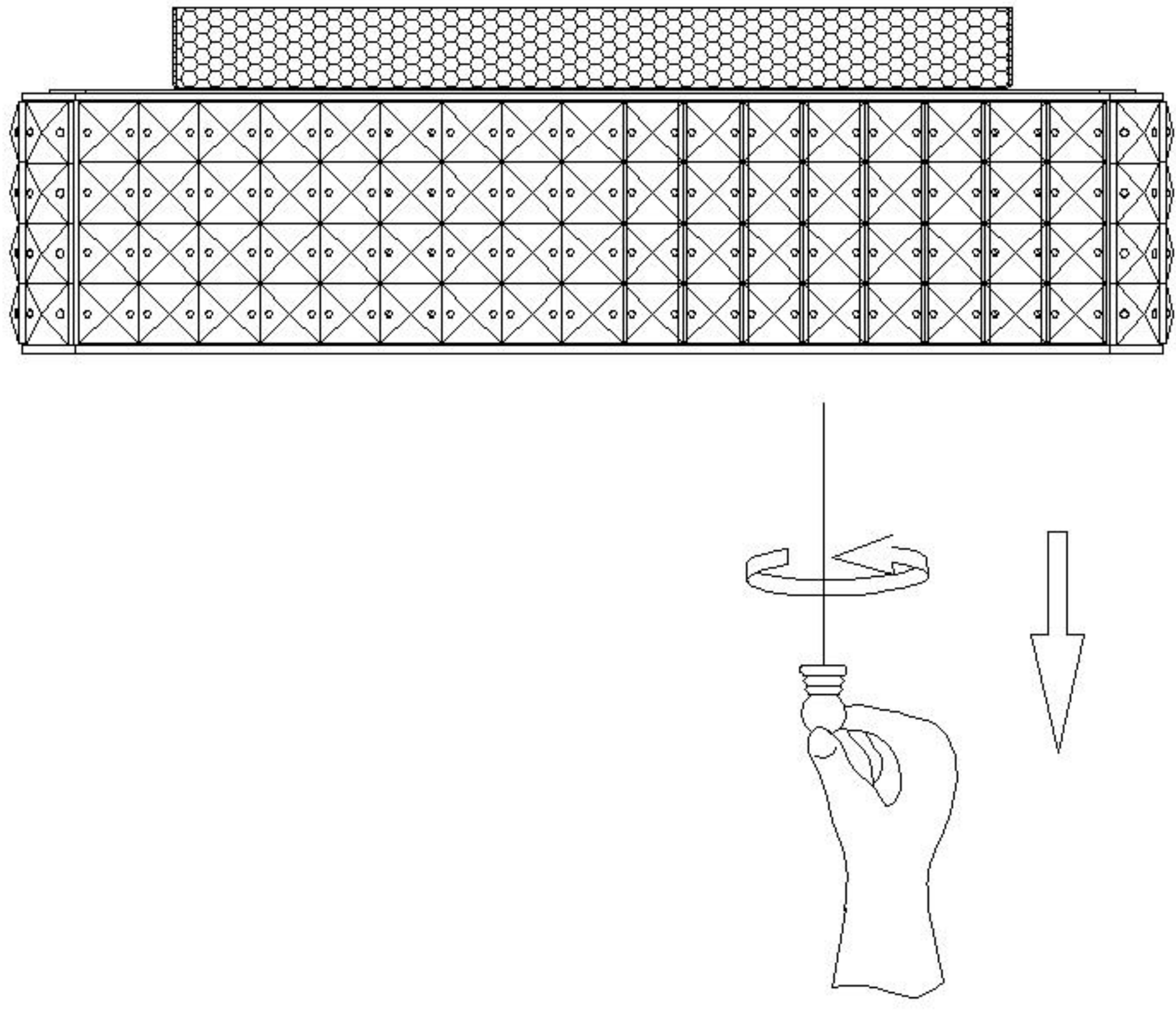


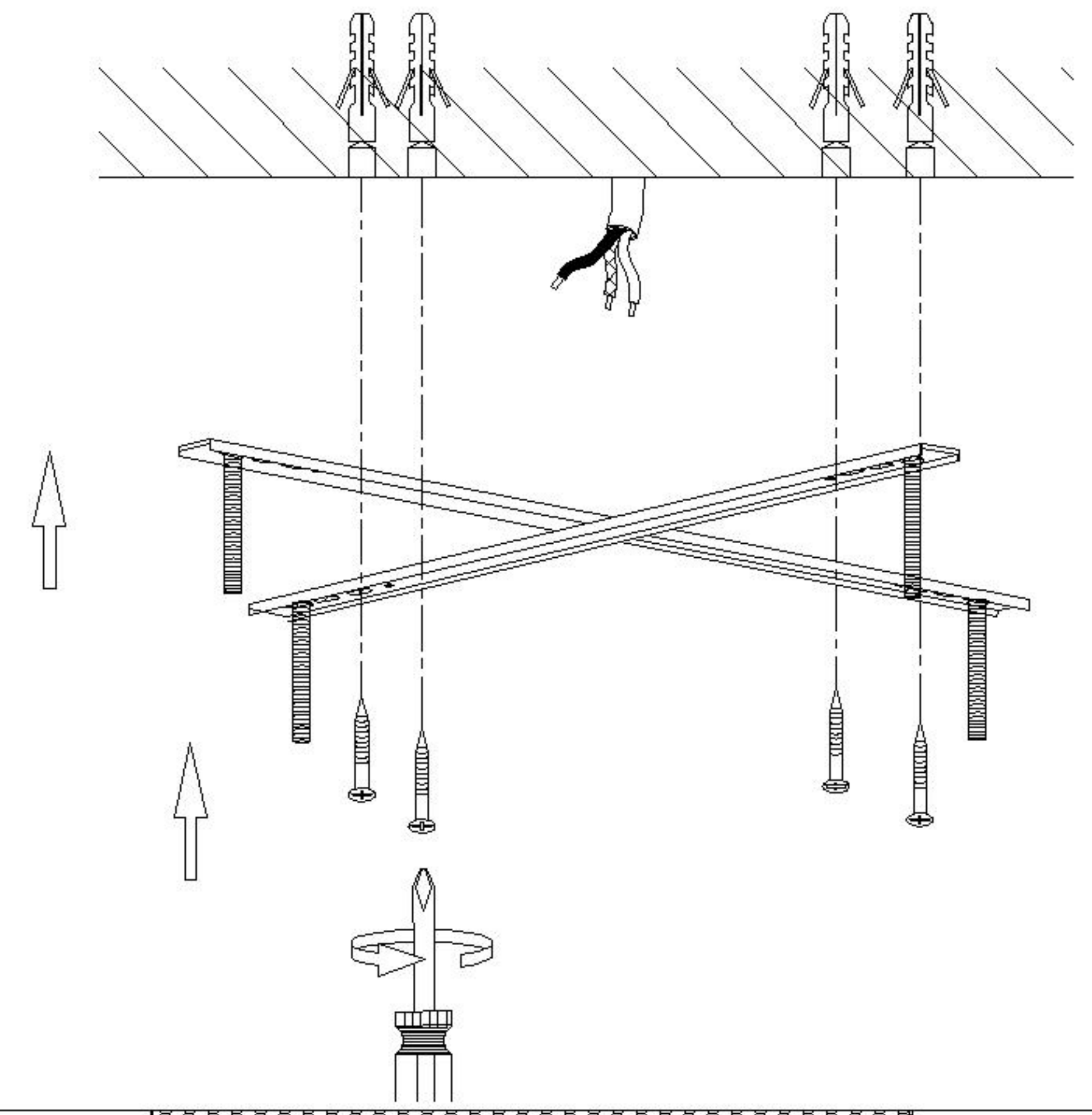
# INSTALLATION INSTRUCTION ODEON LIGHT ART . 2729/9C



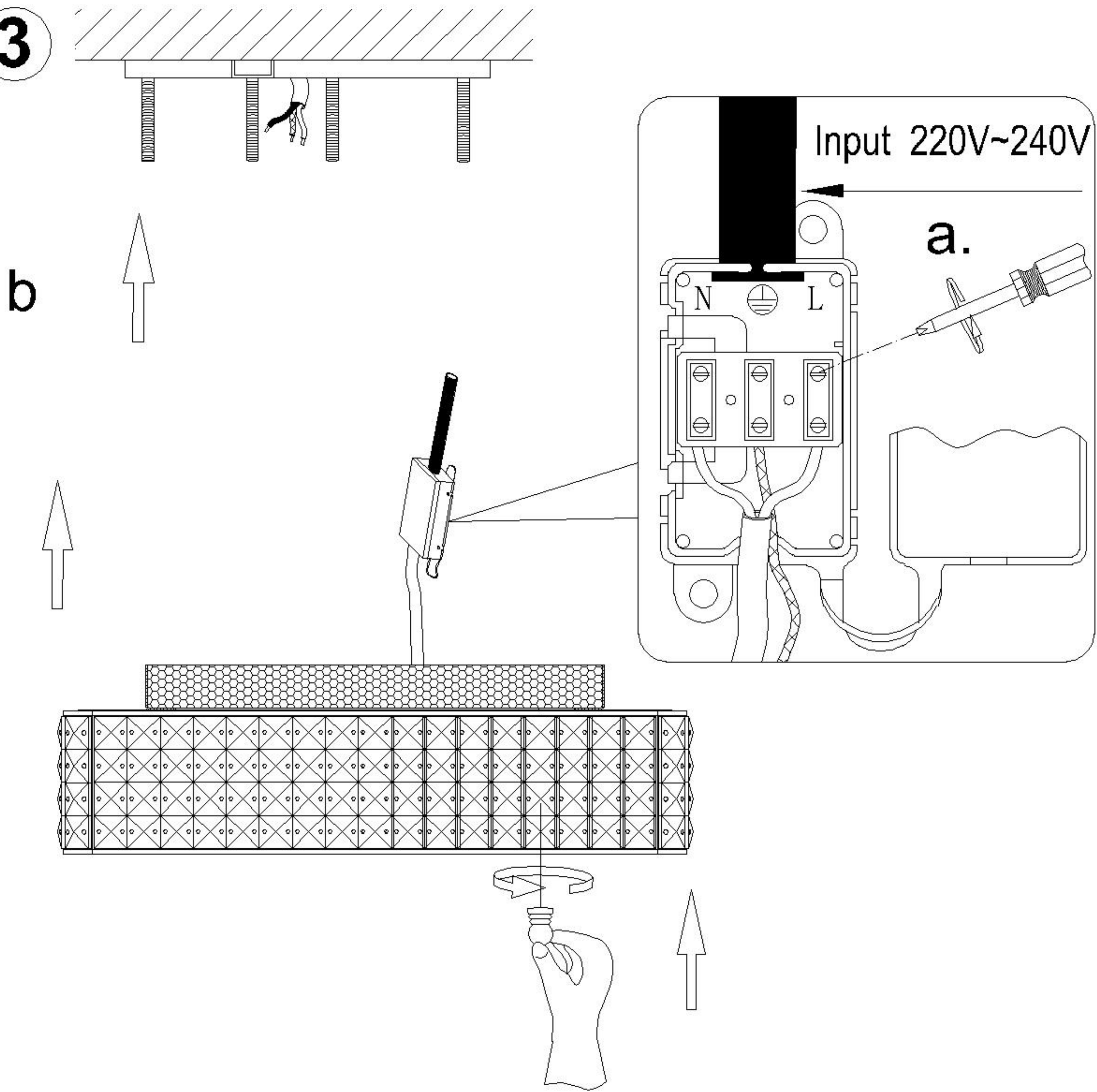
1



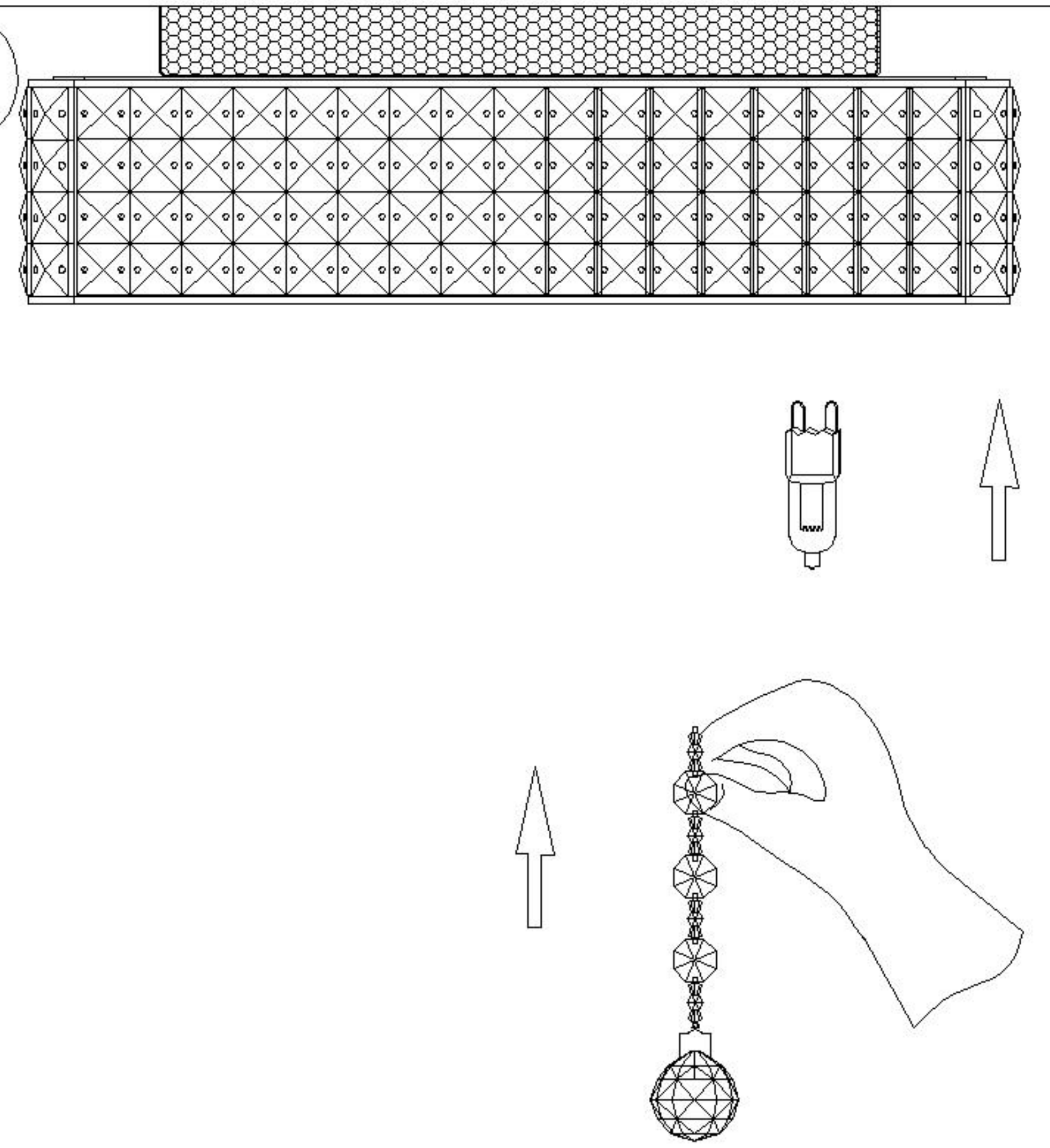
2



3



4



5

