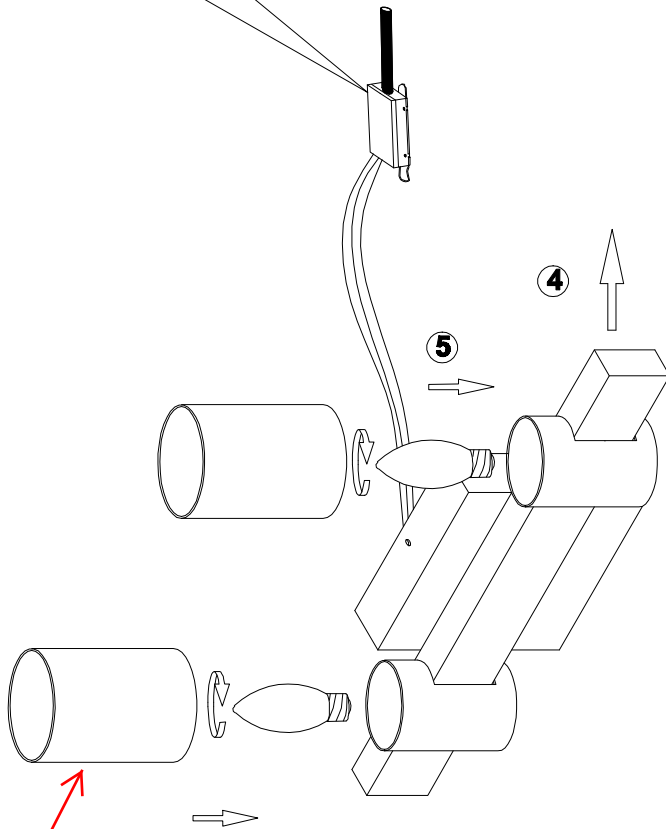
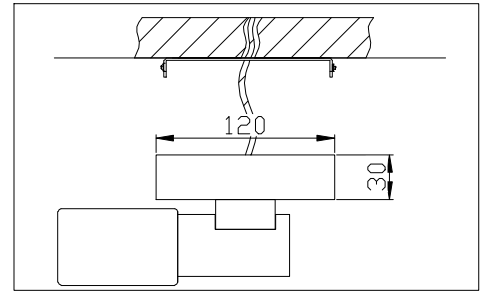
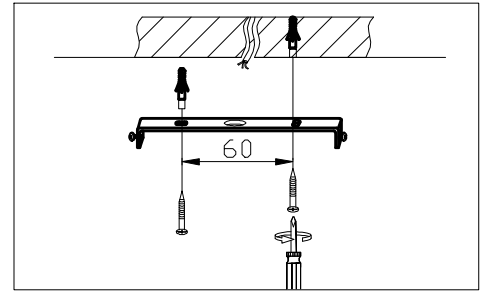
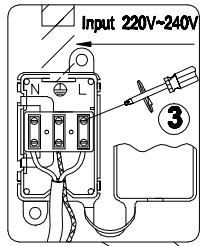
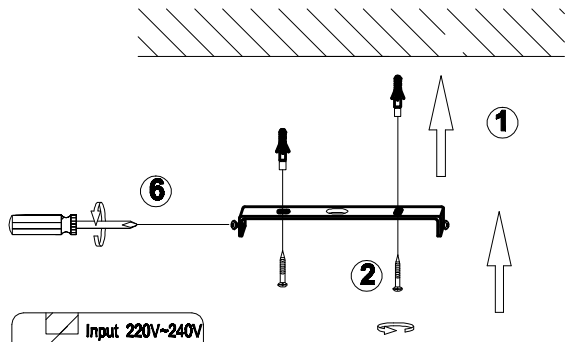


INSTALLATION INSTRUCTION ODEON LIGHT ART .2719/2W



G2719