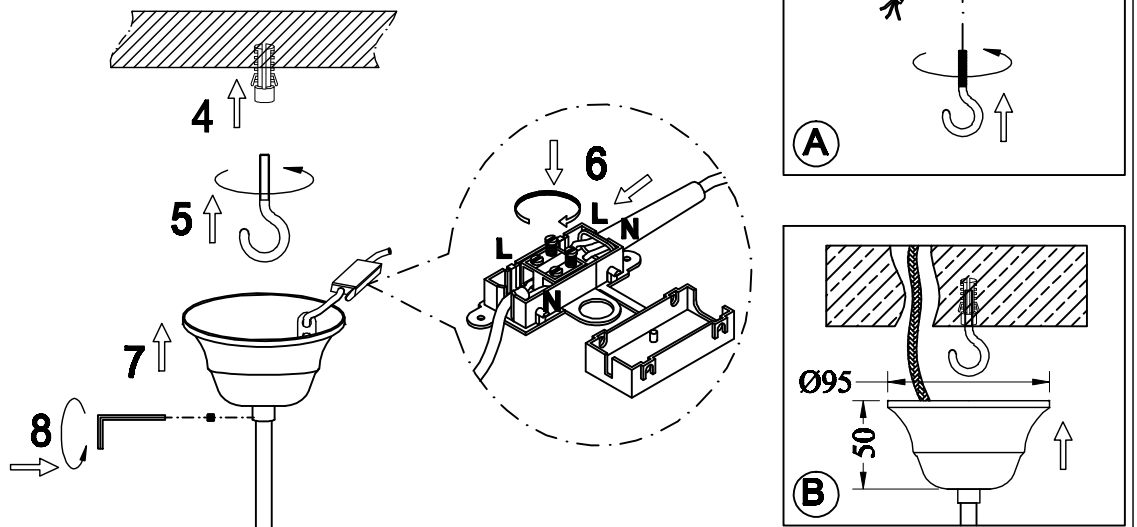


INSTALLATION INSTRUCTION

ODEON LIGHT art.2633/3



1. tight the lamp standard to the iron of lamp body
2. use the screw to fixed well the lamp standard
3. fixed the lifting hook on the ceiling
4. put the lampbody on the lifting hook
5. connect the power wire of the lamp body and outer power supply
6. put the canopy on the ceiling, and fixed well by screw
7. take away the outer ring from the lampholder
8. put the lampshade on the lampholder
9. Tight lamp holder outer ring, fixed the shade to the lamp holder
10. install the bulb

