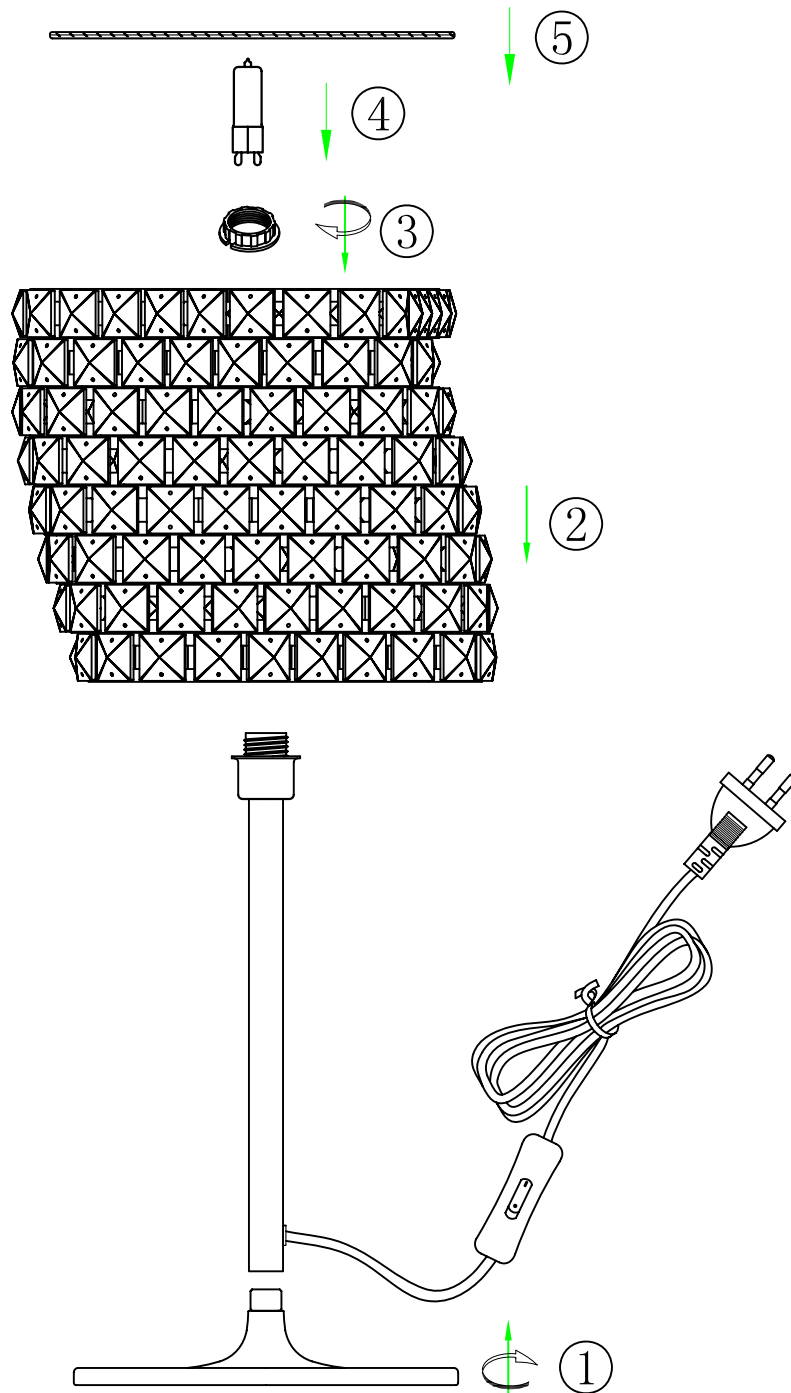


# ODEON LIGHT INSTALLATION INSTRUCTION

Item No.:2606/1T



## FEATURE

- 220-240V~50Hz
- Lamp Type: G9 MAX .53W

The lamp can be only indoor used

If the soft cable or wire of the lamp broken

it should be revised by the factory or its service agent,  
whatever a professional to avoid danger.