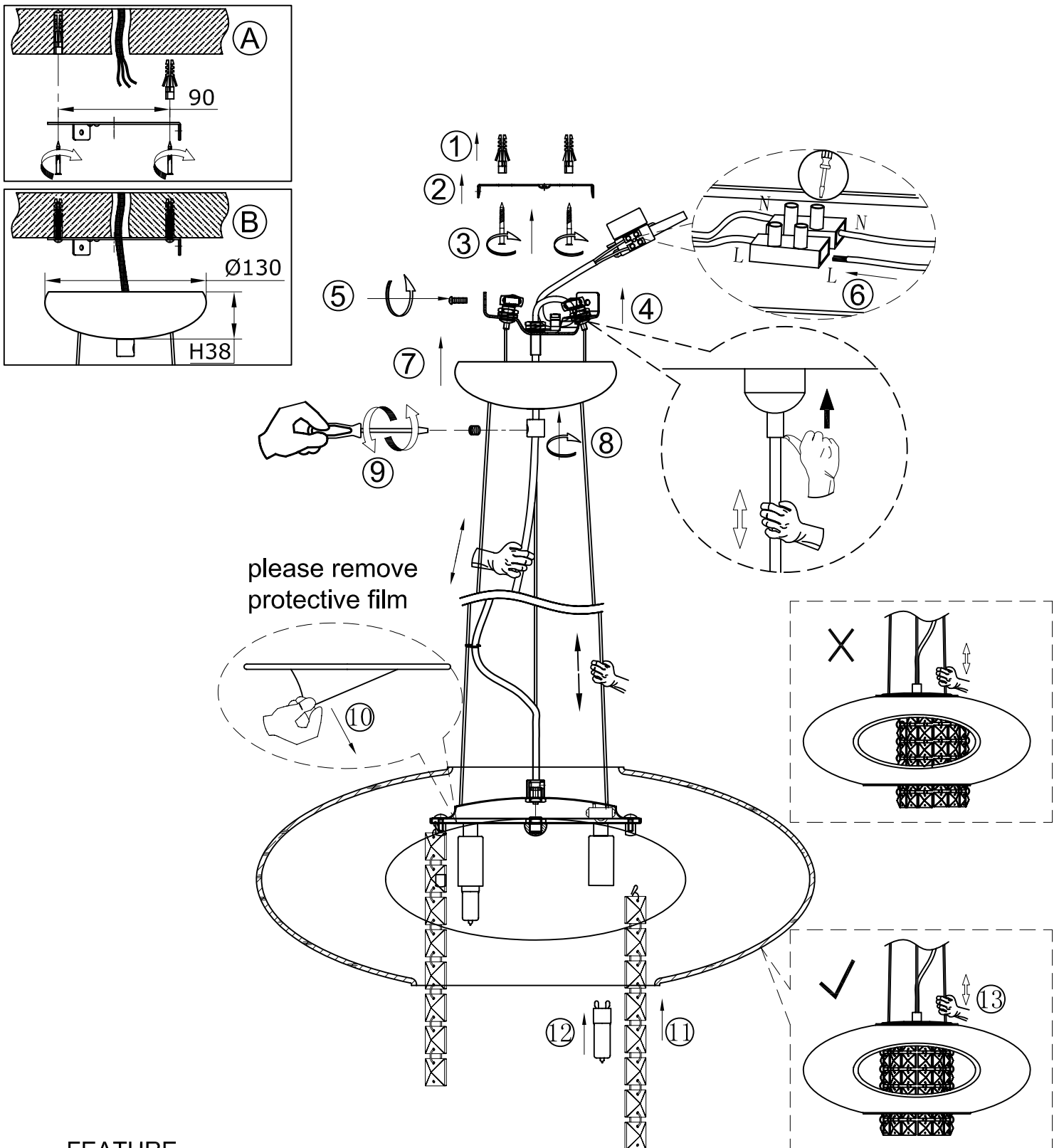


# ODEON LIGHT INSTALLATION INSTRUCTION

Item No. : 2604/4



## FEATURE

- 220-240V~50Hz
  - Lamp Type:G9 4 × MAX 53W
- The lamp can be only indoor used

If in doubt, consult a qualified electrician or contact your retail outlet. Ensure that you always install the fitting to the relevant regulations. Certain regulations indicate that lighting fittings should be installed by a qualified electrician.