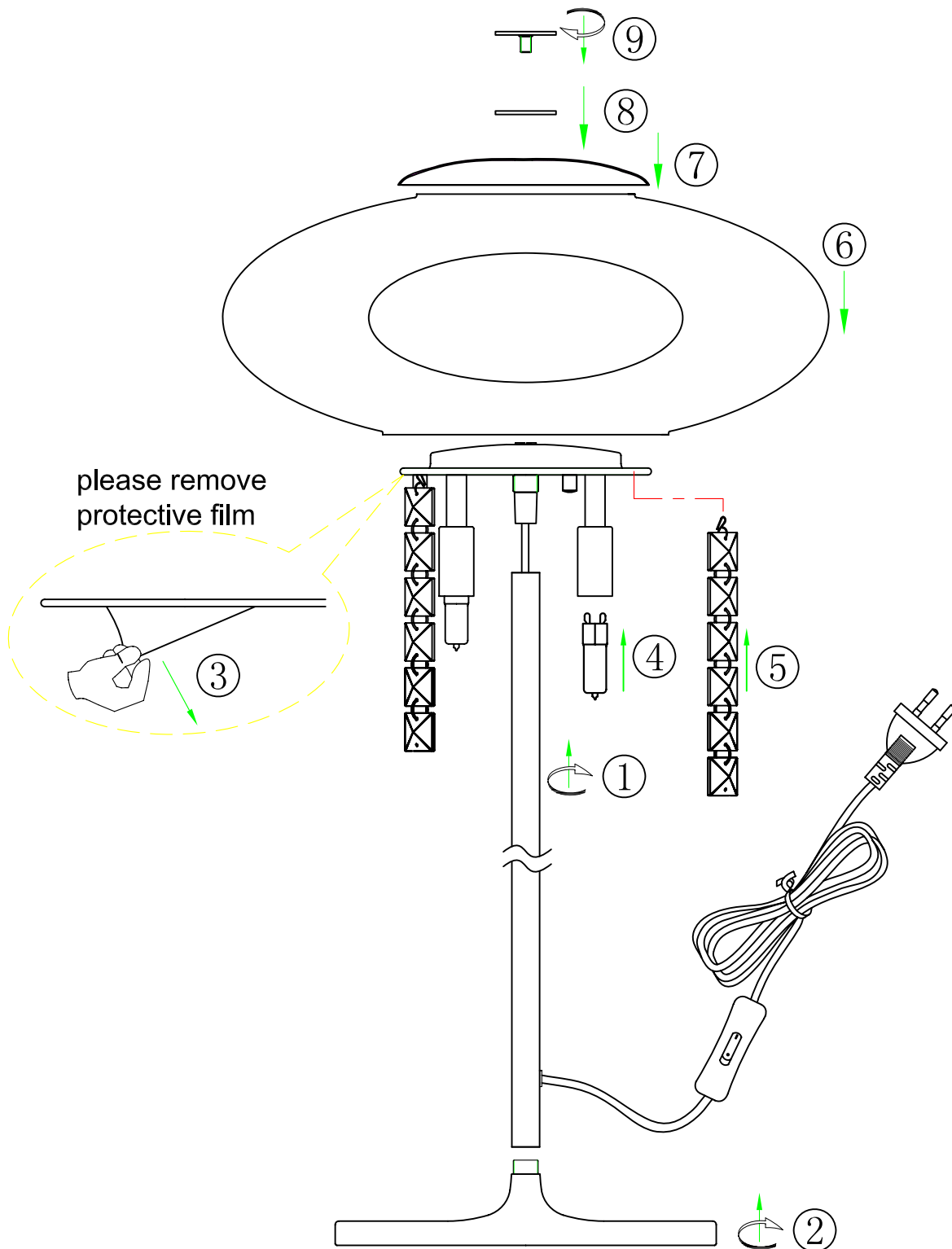


ODEON LIGHT INSTALLATION INSTRUCTION

Item No.:2604/3T



FEATURE

●220-240V~50Hz

●Lamp Type: G9 3 X MAX. 42W

The lamp can be only indoor used

If the soft cable or wire of the lamp broken

it should be revised by the factory or its service agent,
whatever a professional to avoid danger.