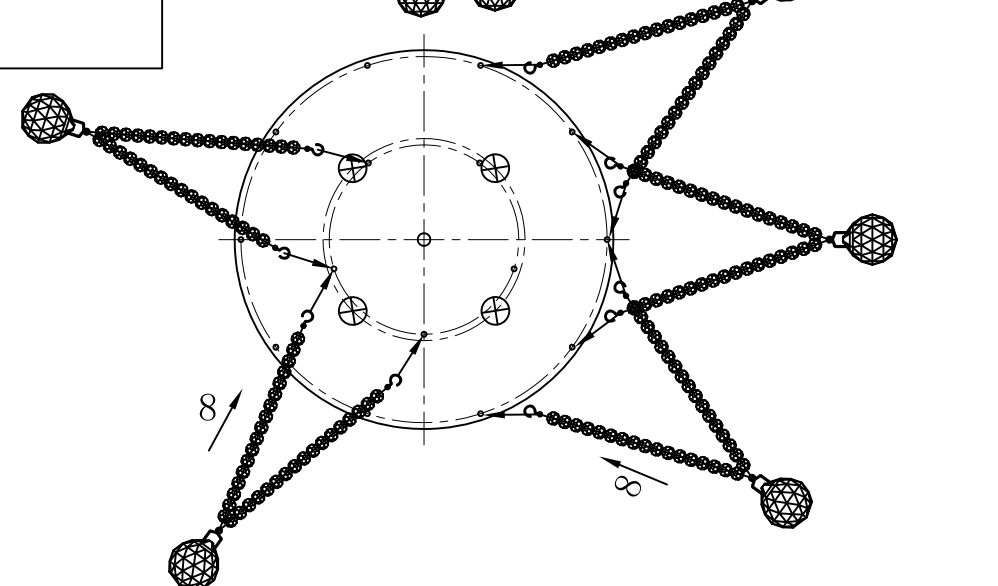
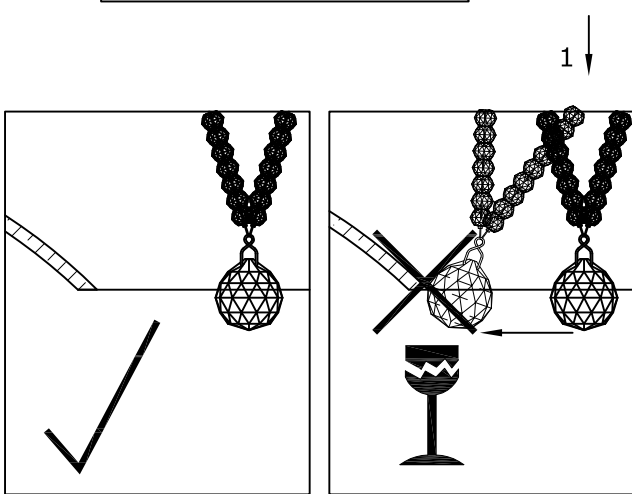
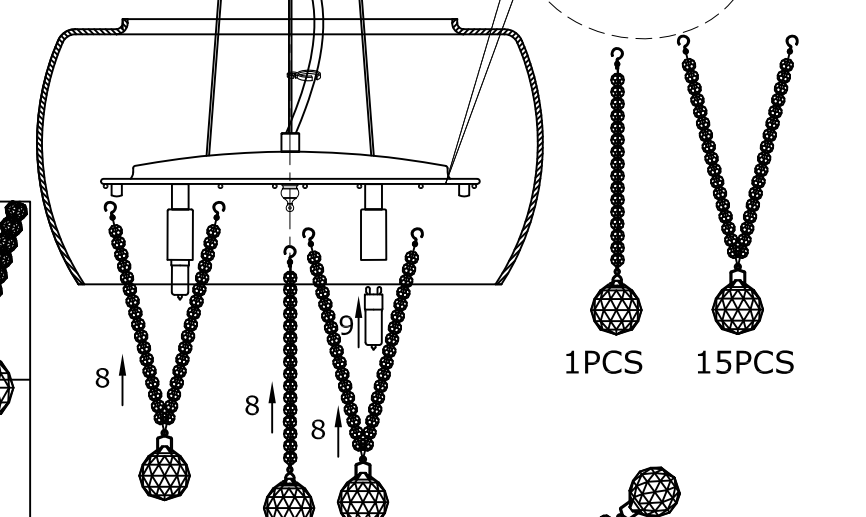
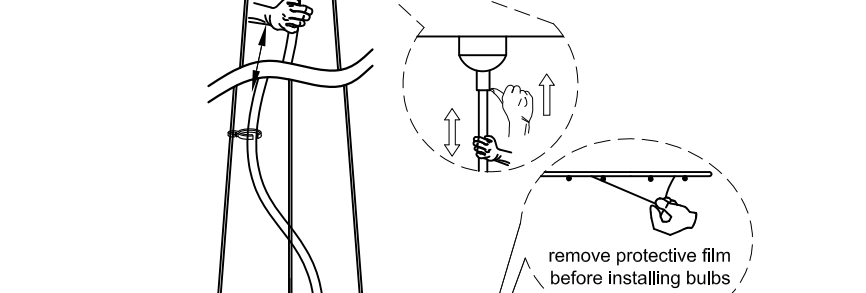
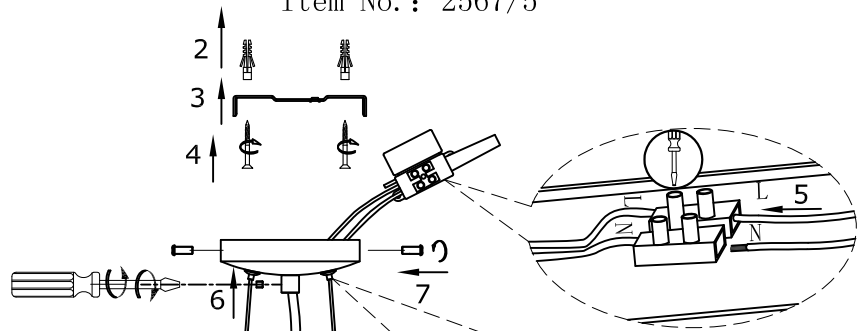
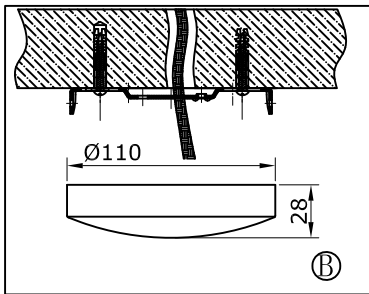
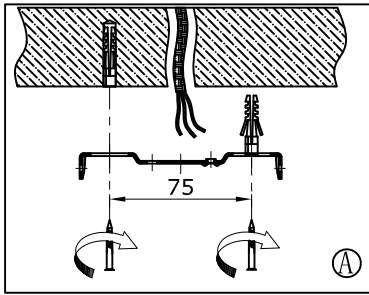


ODEON LIGHT INSTALLATION INSTRUCTION

Item No. : 2567/5



FEATURE

● 220-240V~50Hz

● Lamp Type: G9 5×MAX 42W

The lamp can be only indoor used

If in doubt, consult a qualified electrician or contact your retail outlet. Ensure that you always install the fitting to the relevant regulations. Certain regulations indicate that lighting fittings should be installed by a qualified electrician.