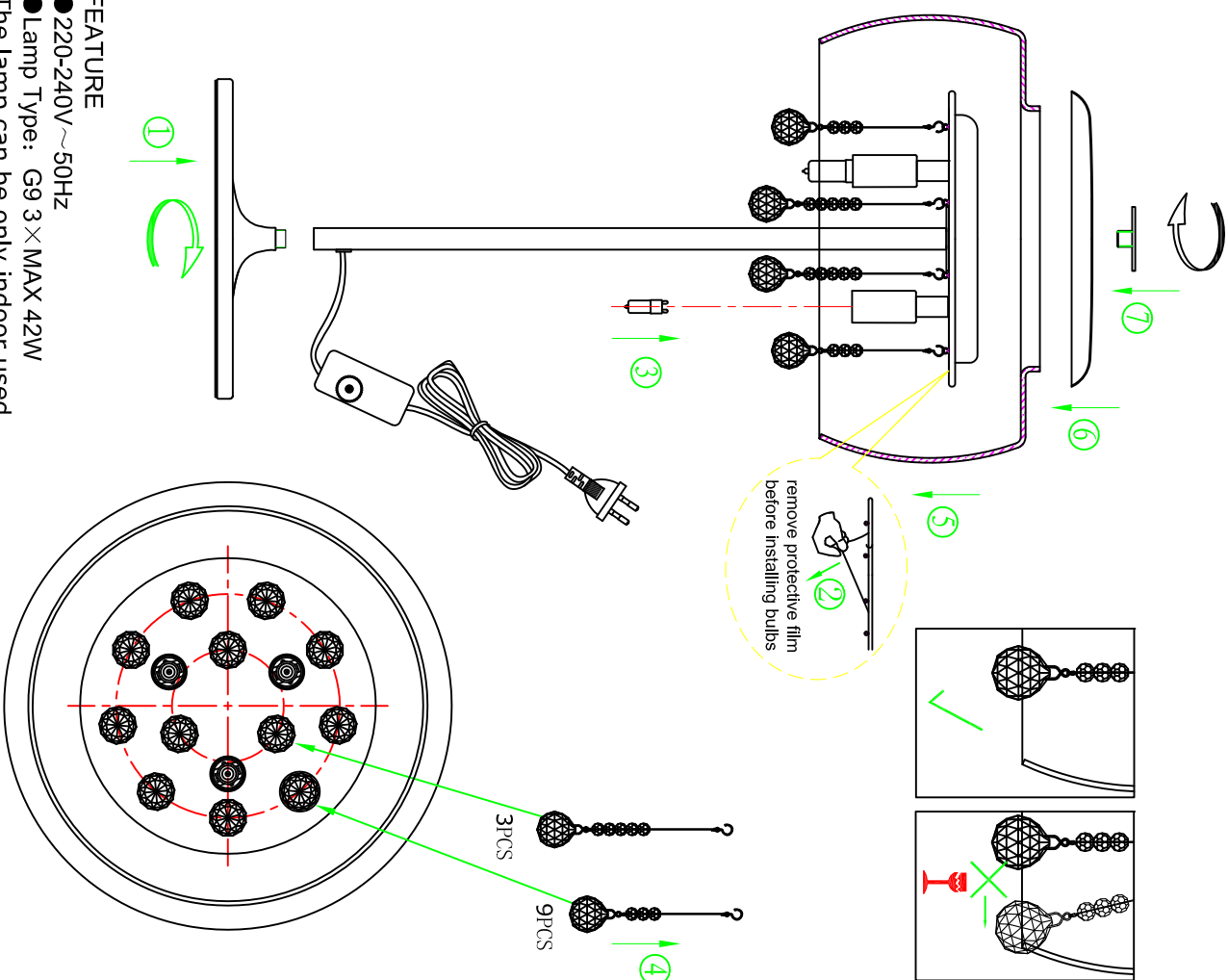


# ODEON LIGHT INSTALLATION INSTRUCTION

Item No. : 2567/3T



## FEATURE

● 220-240V~50Hz

● Lamp Type: G9 3×MAX 42W

The lamp can be only indoor used  
If the soft cable or wire of the lamp broken  
it should be revised by the factory or its service agent,  
whatever a professional to avoid danger.