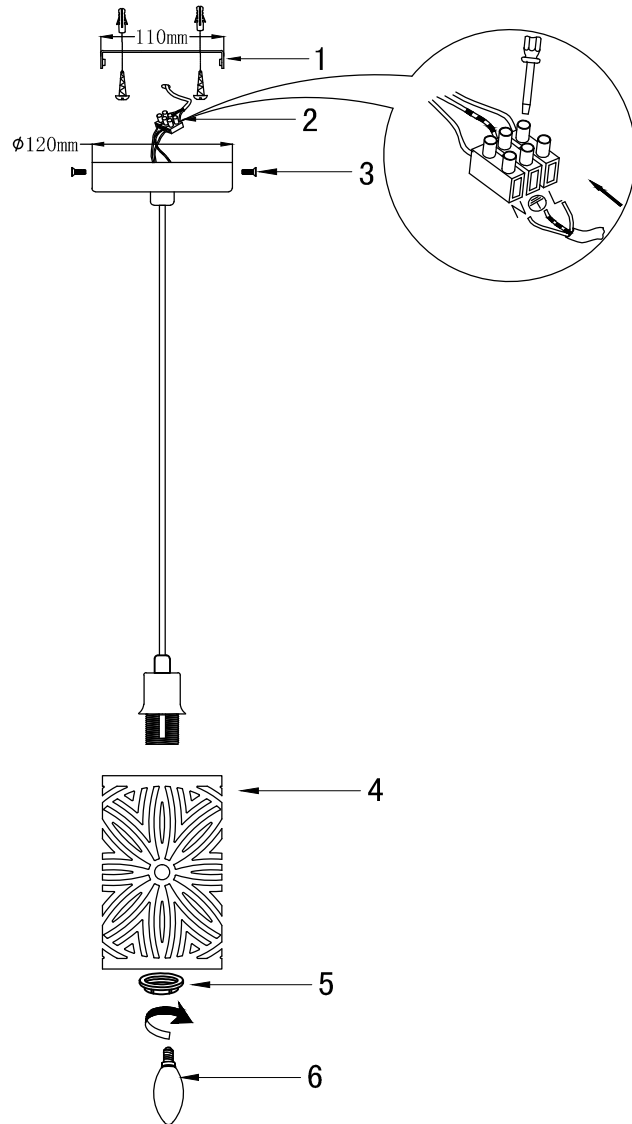


INSTALLATION INSTRUCTION  
ODEON LIGHT art 2502/1



INSTALLATION INSTRUCTION  
ODEON LIGHT art 2502/1

