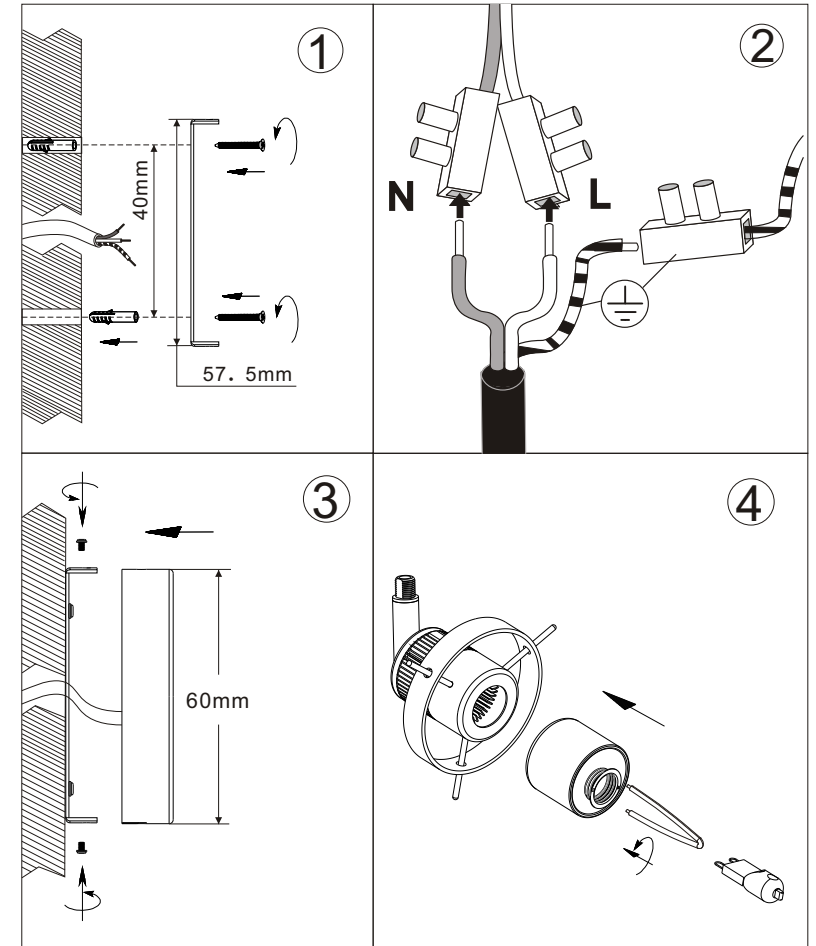
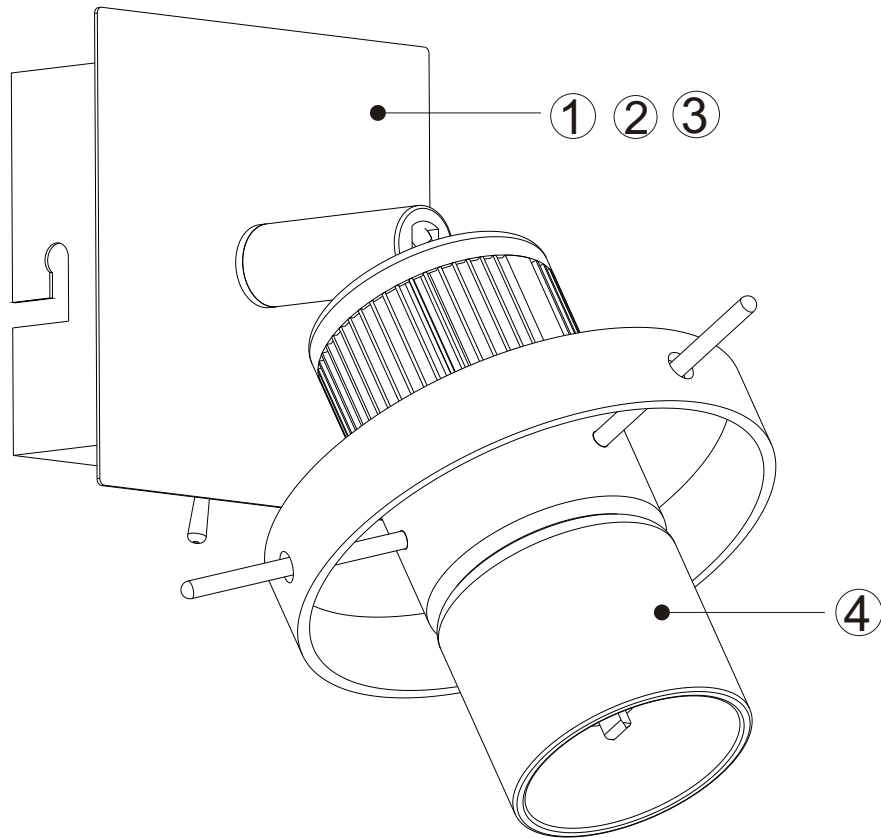


# INSTALLATION INSTRUCTION

## ART:2475/1W ODEON LIGHT



230V~50Hz G9 Max 1x40W