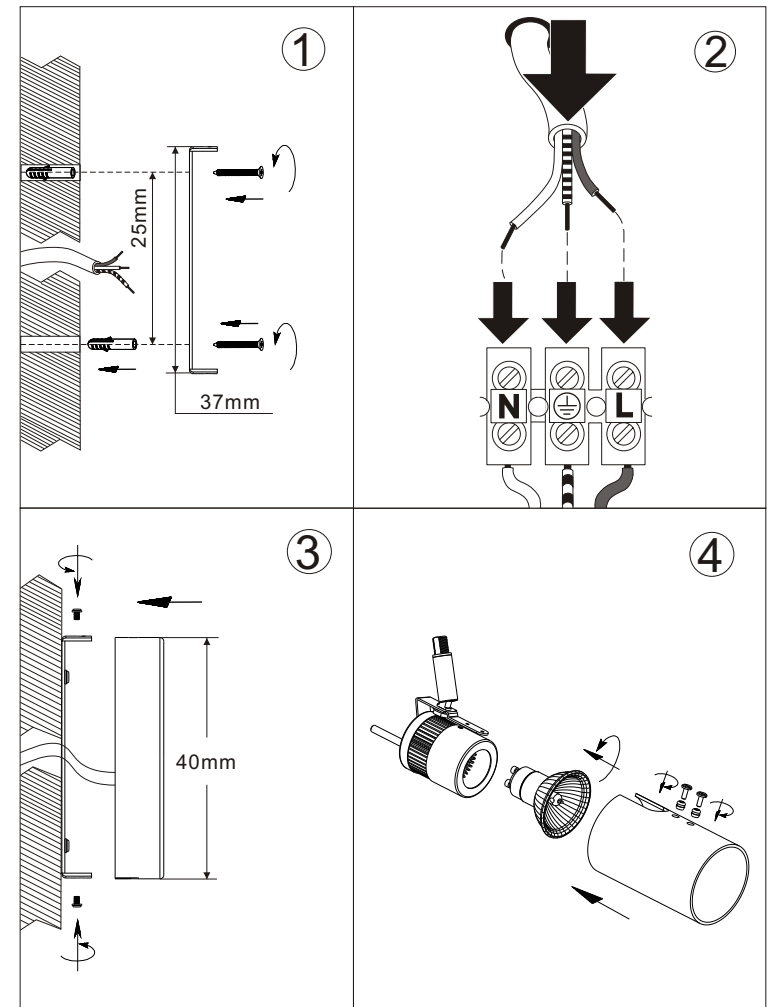
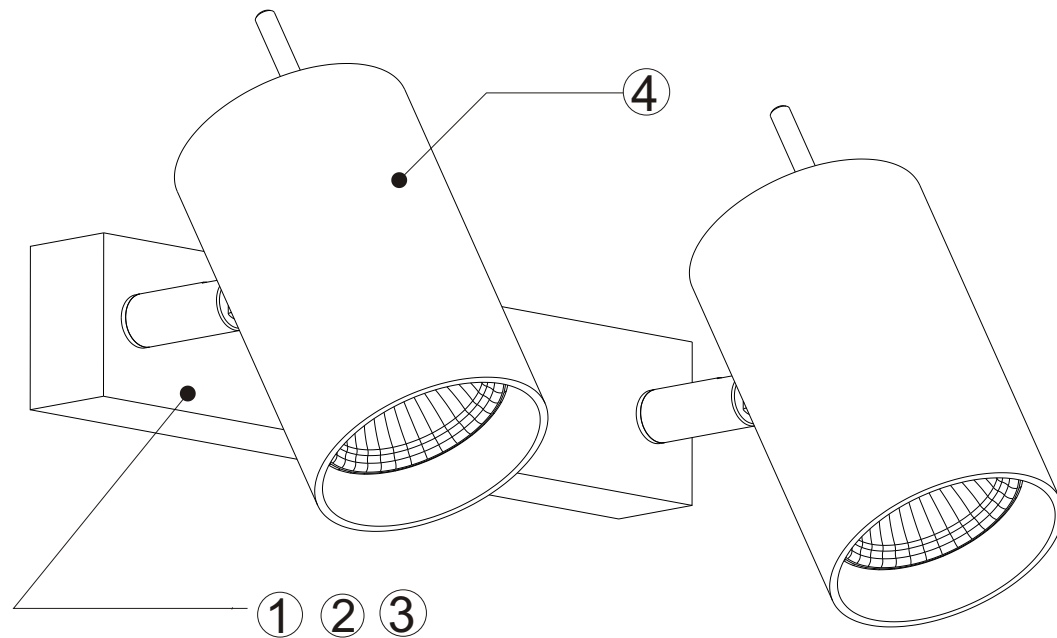


# INSTALLATION INSTRUCTION

## ART:2474/2W ODEON LIGHT



230V~50Hz GU10 Max 2x50W