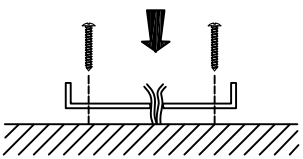


INSTALLATION INSTRUCTION

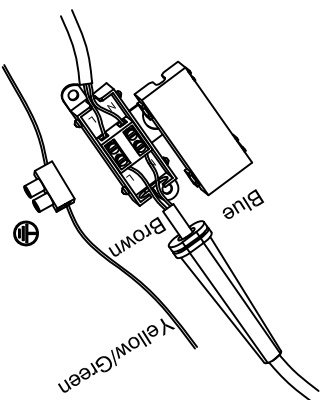
ODEON LIGHT art.2197/1A

220V-240V ~50Hz
E14 1xMax.40W+1X1W LED

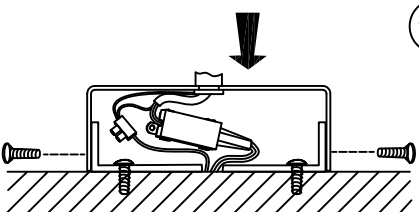
1



2



3



4

