

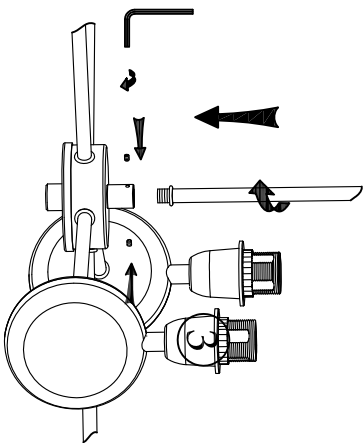
# INSTALLATION INSTRUCTION

## ODEON LIGHT art.2195/5

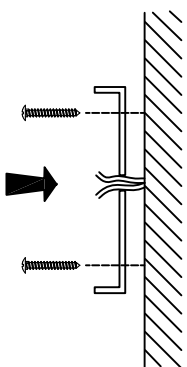
220V-240V ~50Hz

E14 5xMax.40W

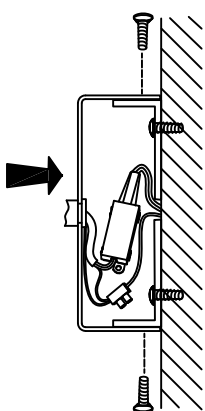
1



2



3



4

