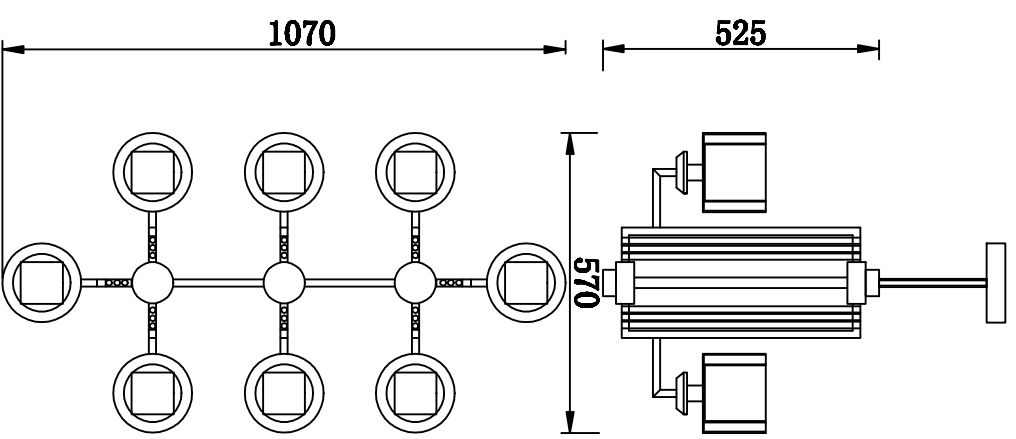
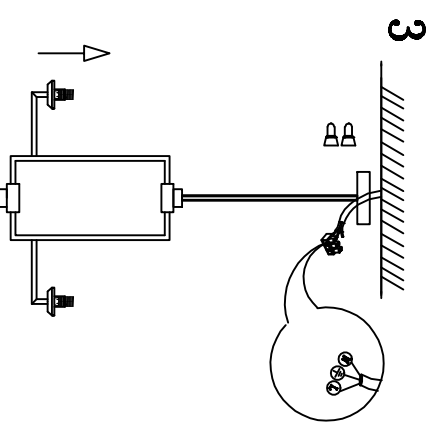
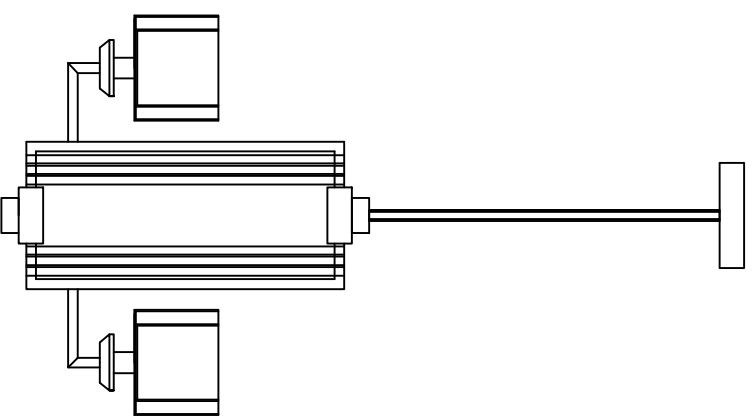
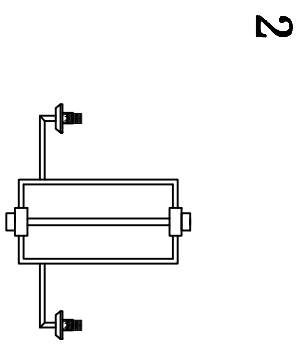
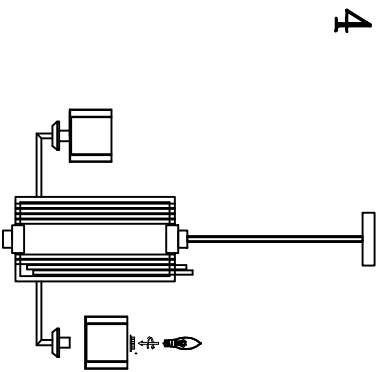
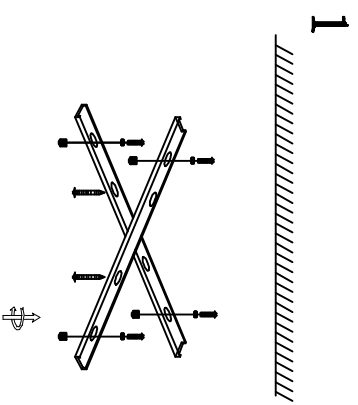


MODEL: 4408/S



Safety precautions:

1. The person do not entered the projected range (fixed machine AC220-240V 50/60Hz).
2. Removal of the power supply while operating the light sensor and other maintenance operations.
3. The plates fixed on the walking zone for able to withstand the weight more than 3 times of the object.
4. After installation is complete, check the glass plate or seat if it is damaged, it should be replaced immediately.

