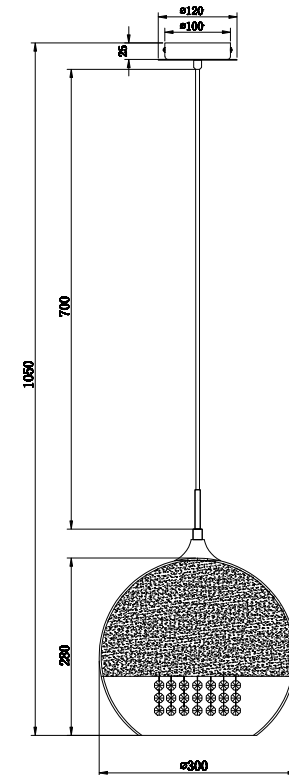
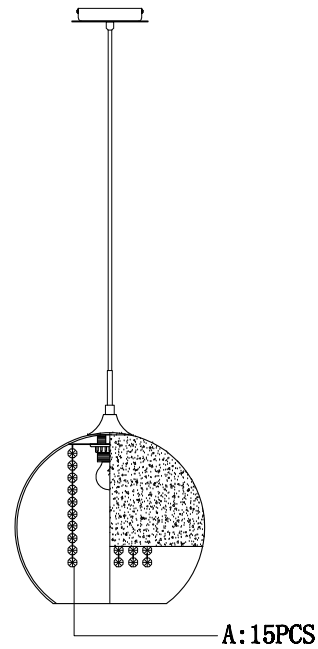
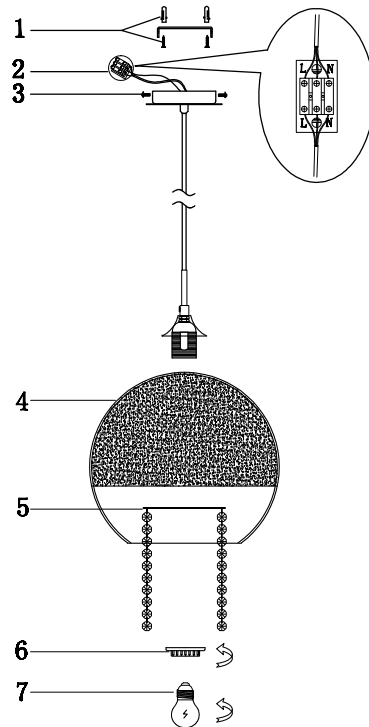


# Instruction

## P140-PL-170-1-G



Gross Weight: 0 kg

Net Weight: 0 kg

Volume: 0,047915 m3

Weight and Volume Margin of Error: ±10%

Color: Gold

Material: Metal



1 x E27 (60W)

Model: P140-PL-170-1-G

Collection: Pendant

Series: Fermi



Pendant Lamps