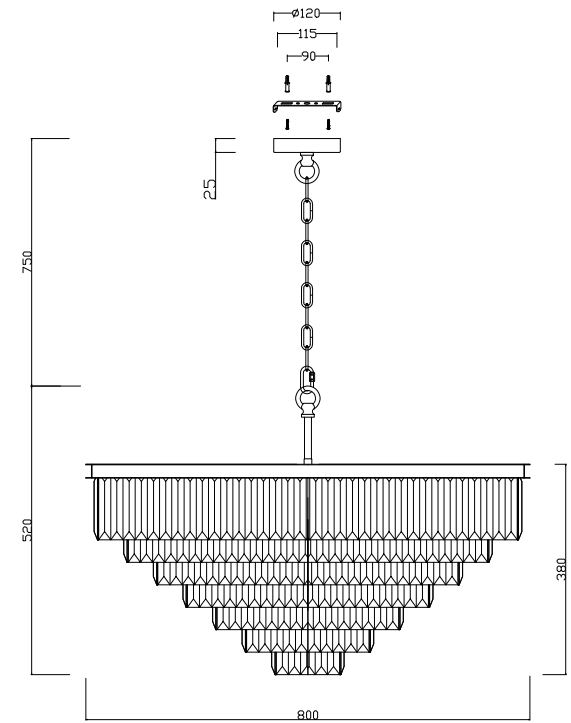
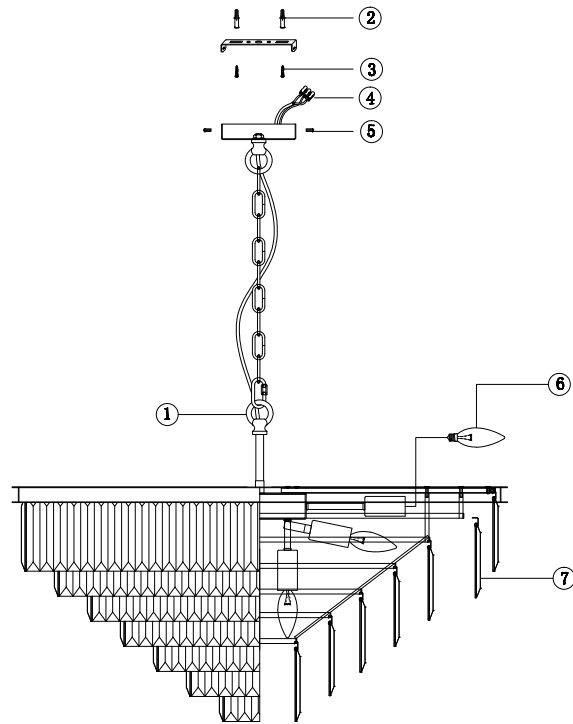


# Instruction

## MOD085PL-16CH



Gross Weight: 21,5 kg

Net Weight: 19,4 kg

Volume: 0,209952 m<sup>3</sup>

Weight and Volume Margin of Error:  $\pm 10\%$

Color: Chrome

Material: Metal and Glass



16 x E14 (40W)

Model: MOD085PL-16CH

Collection: Neoclassic

Series: New Series 085



Pendant Lamps