

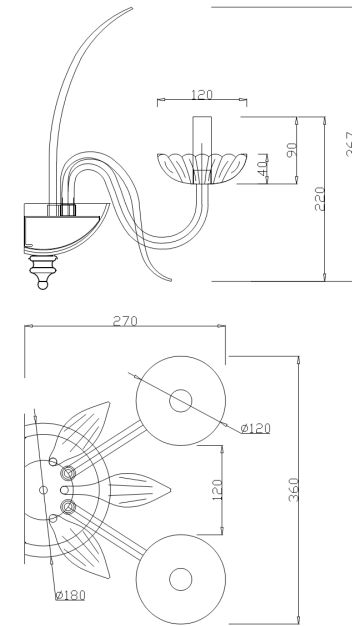
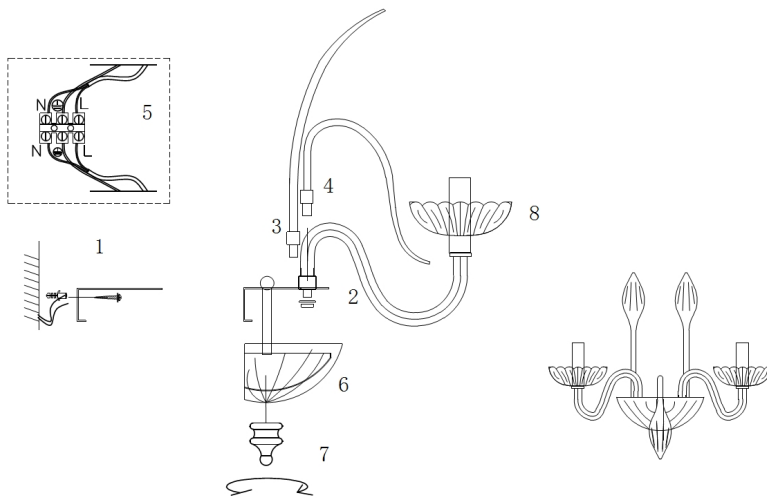
# Instruction

Collection: DIAMANT CRYSTAL

Series: LUCIANO

Model: ARM587-02-N

Wall



- Wall



2 x E14 (40W)

**MAYTONI**  
DECORATIVE LIGHTING

[www.maytoni.de](http://www.maytoni.de)