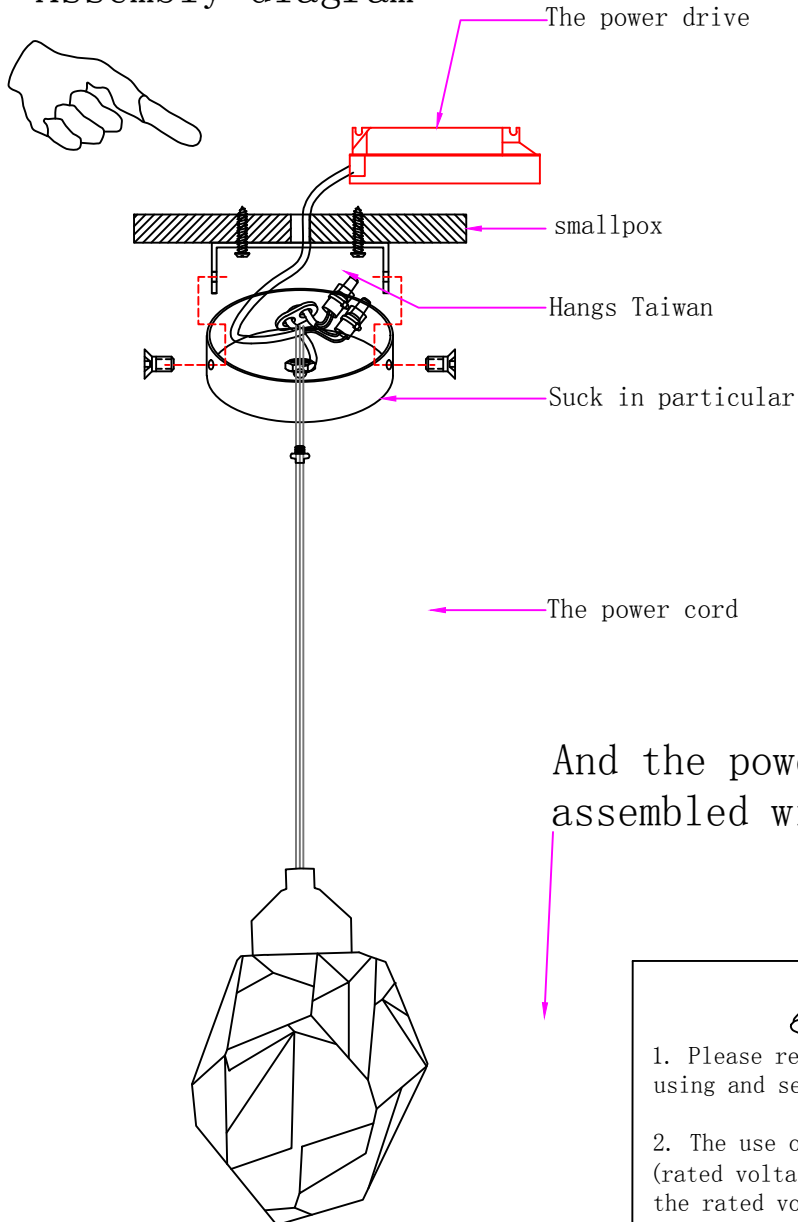


LIGHTING INSTALLATION DRAWING

Assembly diagram



Installation steps

1. Lock the hanging plate on the ceiling
2. Lock the luminescent lamp body which has been locked with the power cord on the disk
3. Adjust the required length of the power cord
4. Connect the power cord and the power drive to the power supply. The other end and smallpox main line connected
5. Lock the locked integral plate on the hanging board
6. open the switch pilot is on



Matters needing attention

1. Please read the assembly drawing carefully before installing, using and servicing the lamps. Please keep it for future use.
2. The use of power supply should not exceed the specified range (rated voltage $AC220V \pm 10\%$ Frequency 50Hz) Long time use above the rated voltage range may cause overheating and damage to the lamp.
3. Please pay attention to check whether the cable and switch are in good condition before use, and ensure that the local voltage is consistent with the lamp voltage.
4. Please turn off the power before installing the lamp.
5. Do not install the lamps on high temperature objects, such as furnace, gas, etc. Light fixtures may be damaged above the exhaust pipe, etc.
6. Do not refit the lamps without permission to avoid failure.
7. When the lamp is not on after the power is switched on, please check whether the energy-saving lamp is in good condition and whether the contact is bad.
8. Please clean and check regularly. Before cleaning, please turn off the power and wipe its surface with a soft dry cloth, but do not wipe with acid or alkaline chemical solvent, otherwise it will cause serious damage to its surface.