

Installation instruction

Dear users, thank you for purchasing this product, carefully read and retain this manual before use

Product information

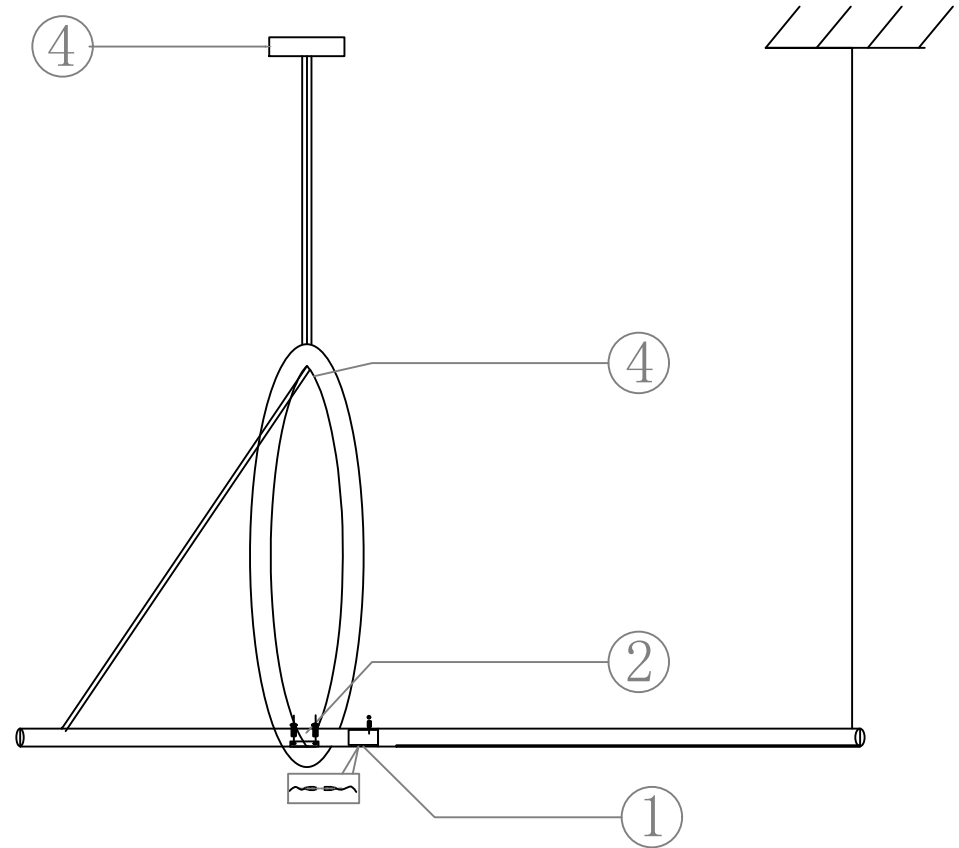
Rated voltage :AC220-240V

Frequency: 50-60Hz

Light source: 4

Attention matters

1. Be sure to cut off the power supply before installation to ensure that the safety device is installed according to the company's installation instructions
 2. To ensure safety, professional electricians shall install, clean and repair lamps and lanterns
 3. Please cut off the power before changing the light source
 4. Replace the exposed power cord immediately if it is damaged
 5. Please regularly clean the lamps and lanterns without wiping them with corrosive liquid
- Replace the broken glass immediately



Installation method (note: power off!!!)

1. Connect the power cord of the terminal and connect the round pipe with hexagon screws
2. Find the pipe balance point (yellow point) to adjust the balance
3. Thread and connect the hanger rod
4. Install suction top plate and connect the power supply