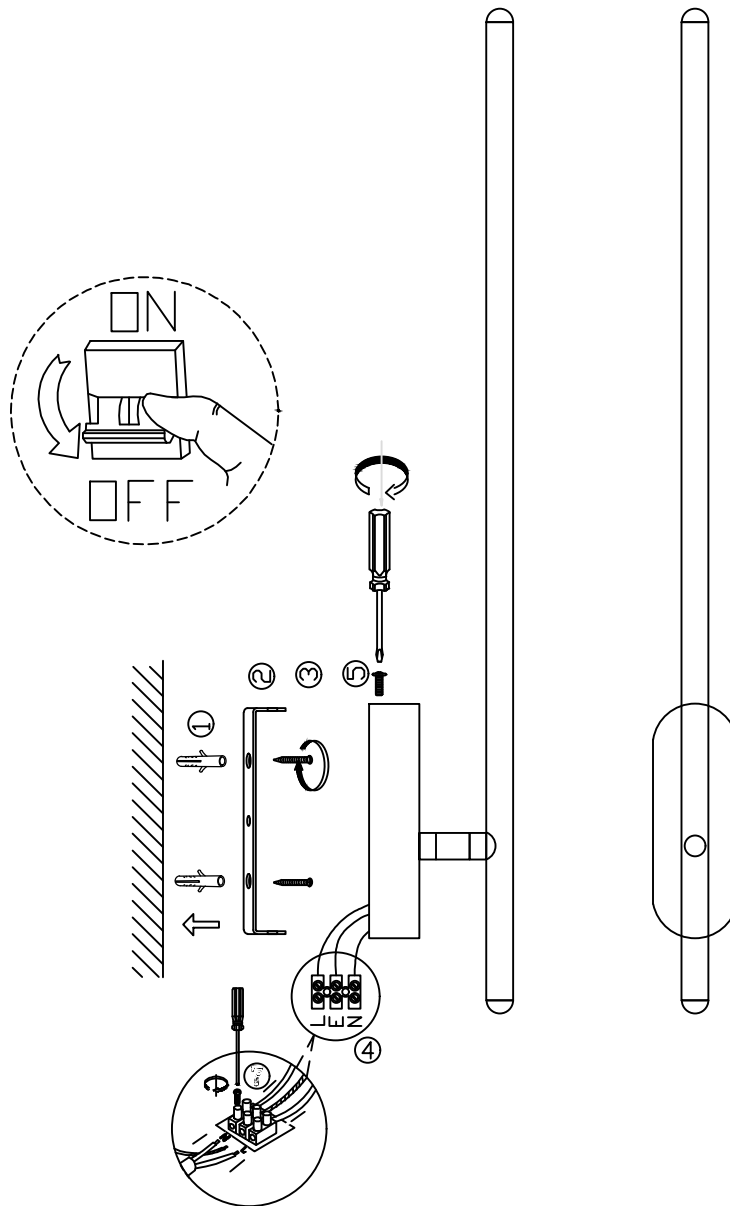


6007W/S



1. Rated Voltage: AC220-250V
2. Frequency: 50Hz
3. light source: LED
4. Material: Metal And Glass