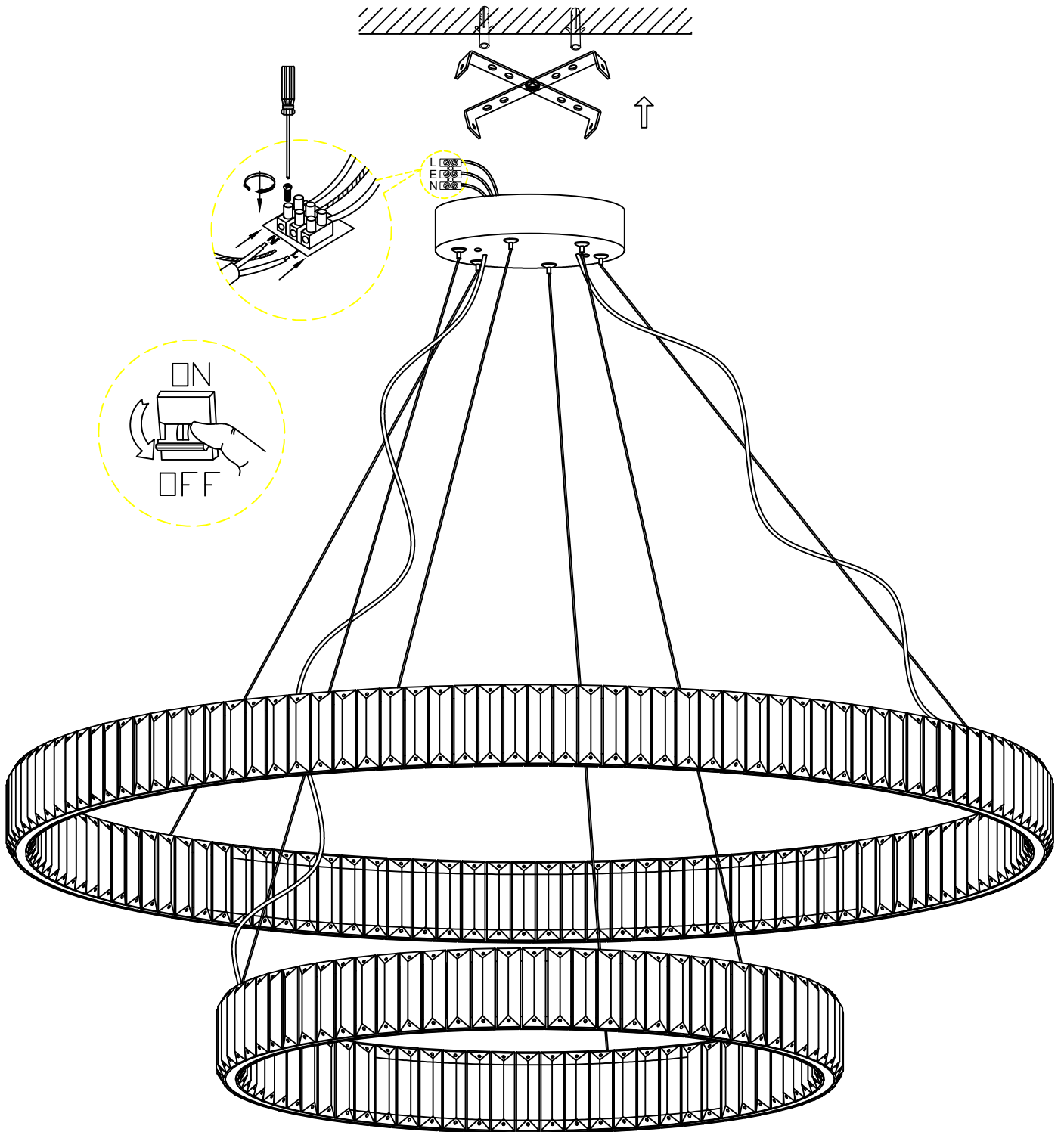


# 10920P/D1000+D600



1. Rated Voltage: AC220~240V
2. Frequency: 50~60Hz
3. light source:LED
4. Material: Metal