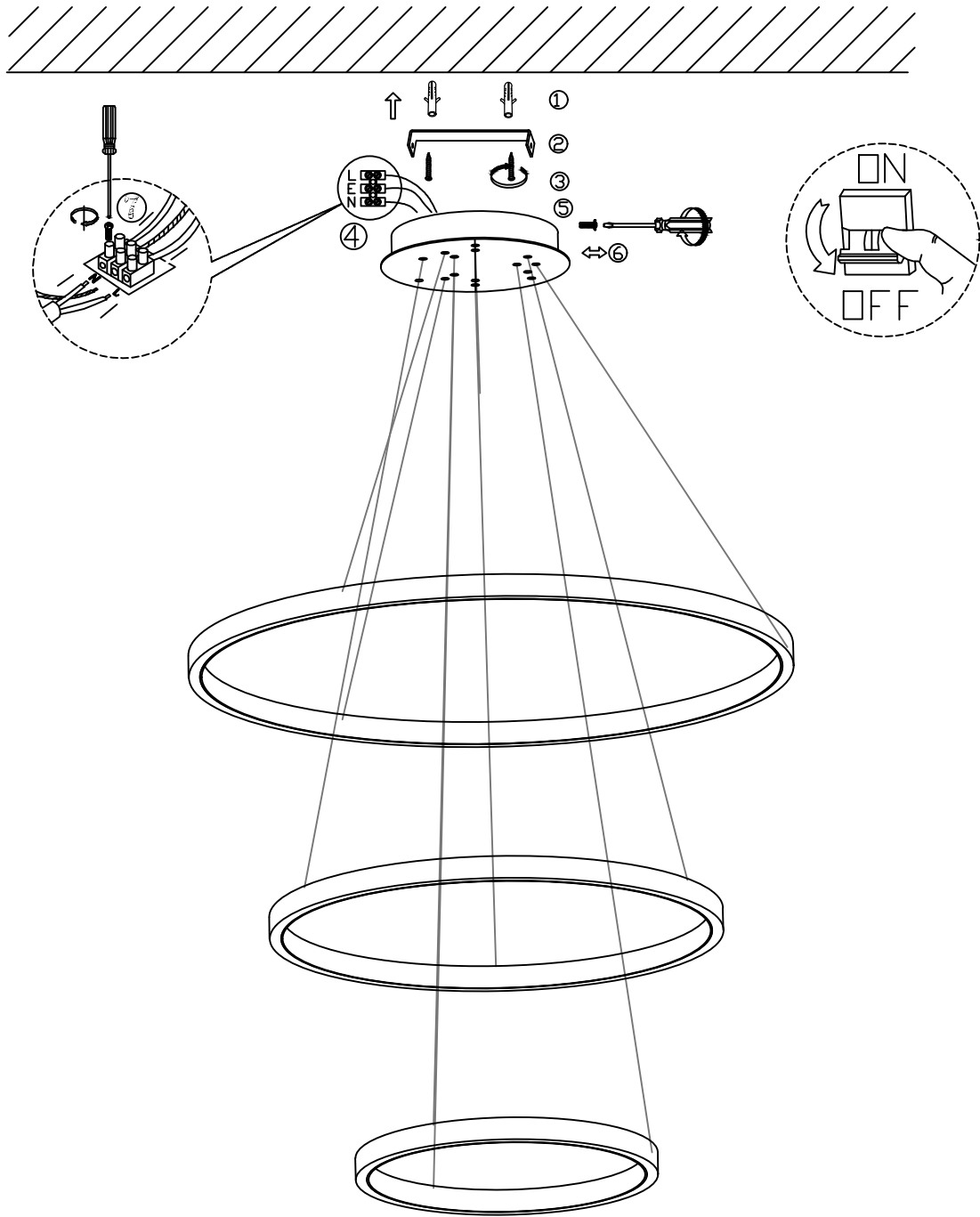


10112P/800+600+400



1. Rated Voltage: AC220-250V

2. Frequency: 50Hz

3. light source: LED

4. Material: Aluminum+Acrylic