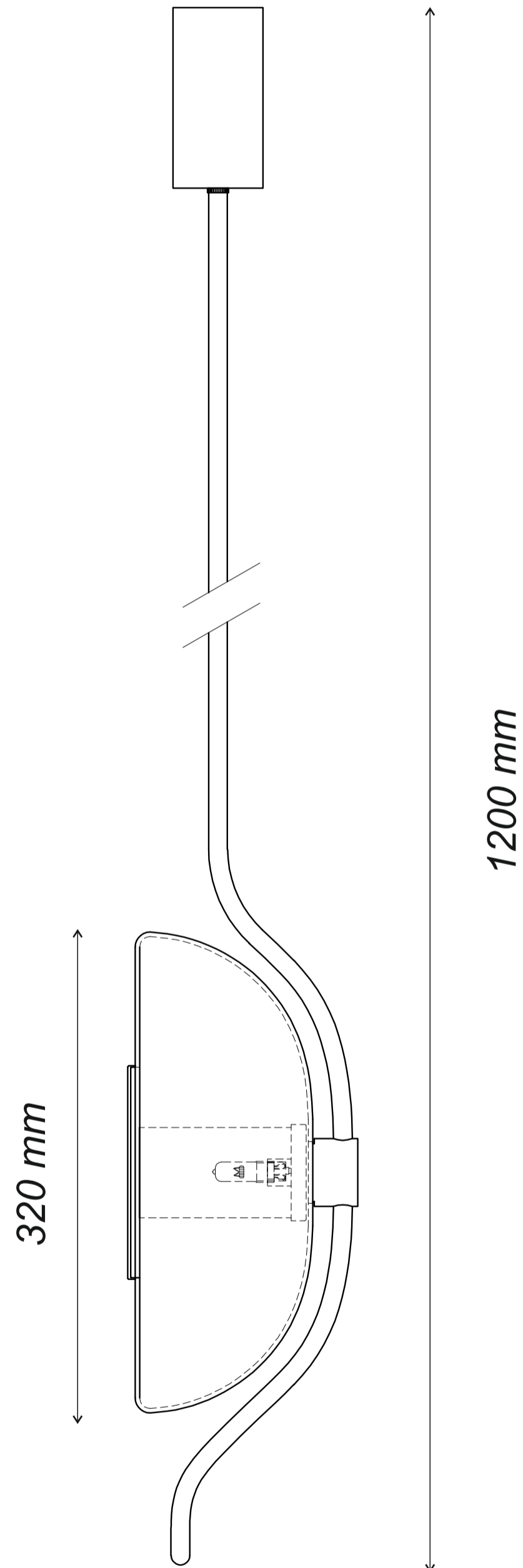
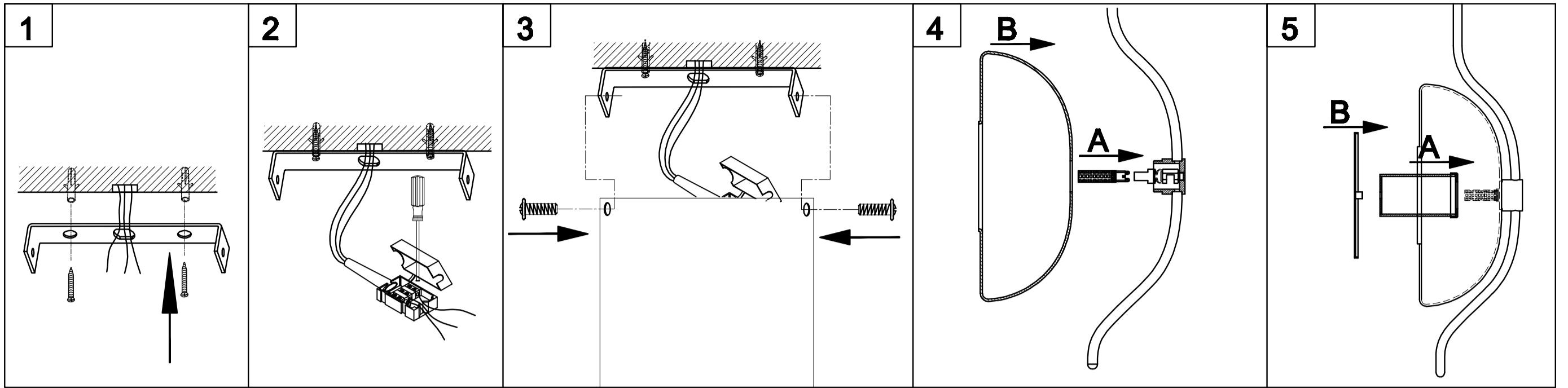


# 9285P



## CAUTION

Please make sure the power off and read this instruction before installation.

And make sure the fixture can work well under the specification.

If you have no electrical experience, you must let a qualified licensed electrician help you to install.

This light is only suitable for indoor use. Do not use in damp environment

If the light needs to be cleaned, should use the dry antistatic fabric, clean it in one direction.

Installation steps:

1. Rated Voltage: AC220-250V

2. Frequency: 50Hz

3. Light source: LED G9 4W

4. Material: Metal And Glass