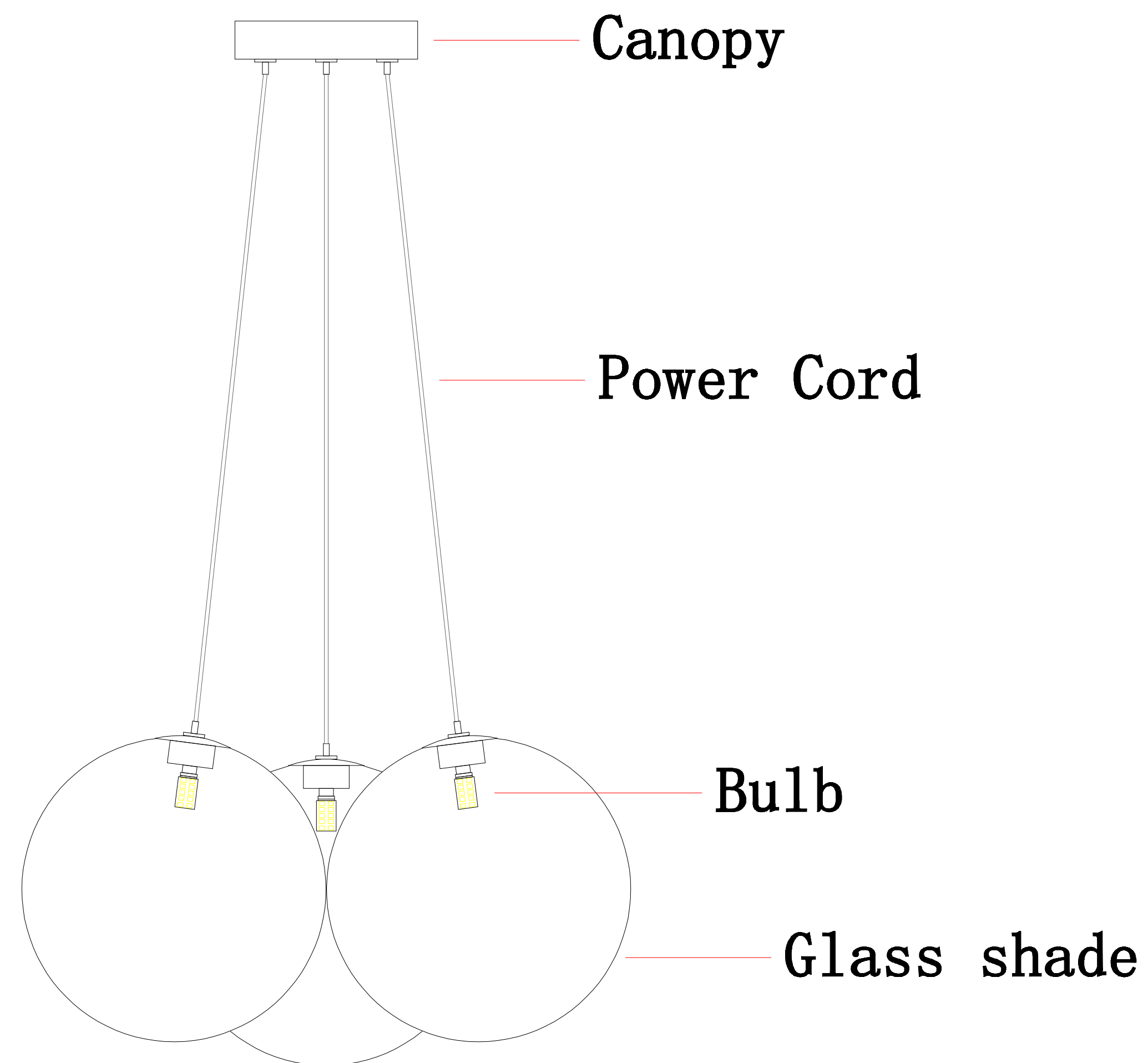
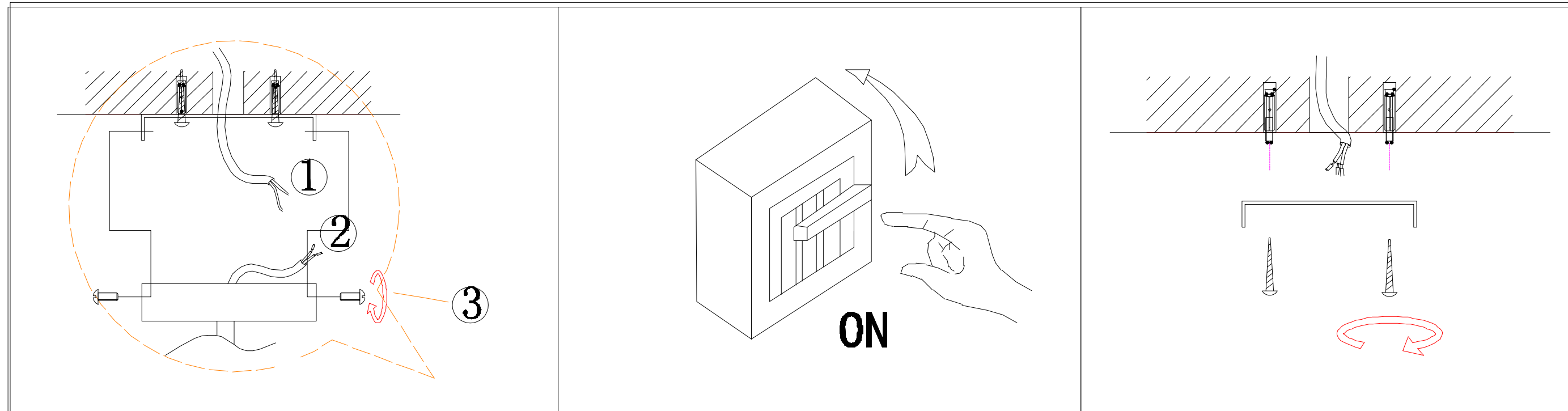
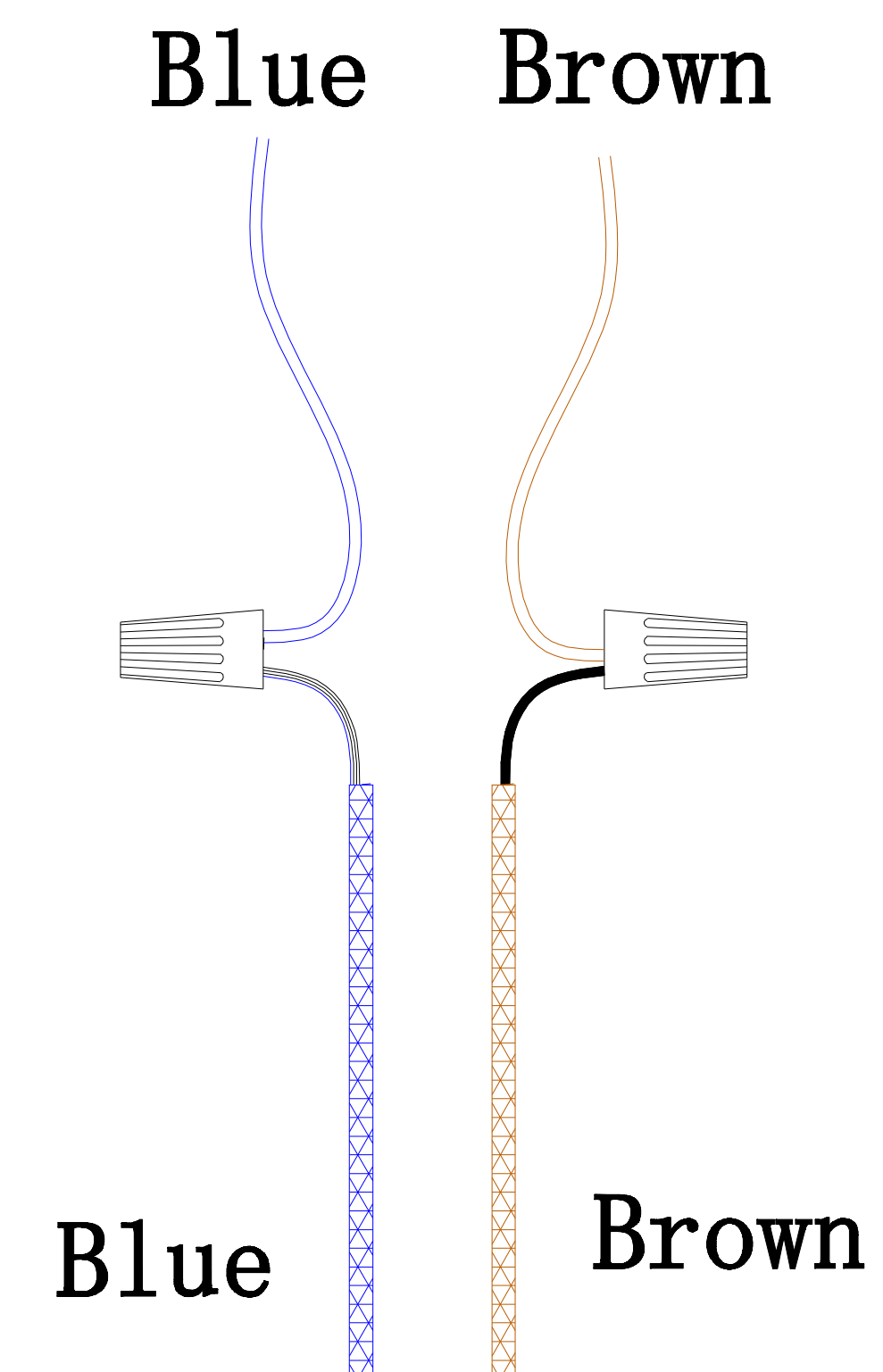


# INSTALLATION INSTRUCTIONS

Item Number:



Connect wires according to below chart



## Installation Instructions

- 1、 Fix the panel to the ceiling or wall and connect the power cord as required.  
This work is recommended to be operated by professionals to ensure safety!
- 2、 Install lamps and lanterns in good order, and hang crystal by serial number can.

**WARNING** (To reduce the risk of fire, electric shock, or injury to persons):

1. Turn off the power before installation;
2. Please wear gloves when installing;
3. Do not install on the ceiling of wet gray water;
4. Please turn off the power when cleaning;
5. Do not rotate when installing the lamp;
6. Merchants must install the products in accordance with the (installation instructions), otherwise the consequences.