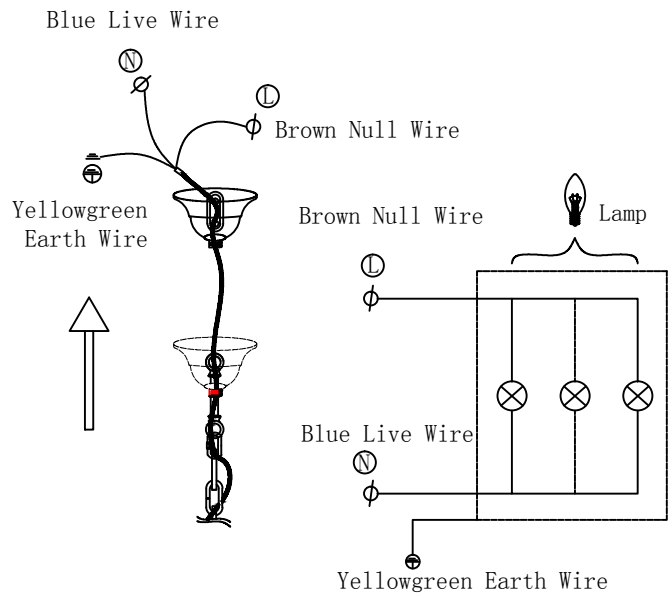
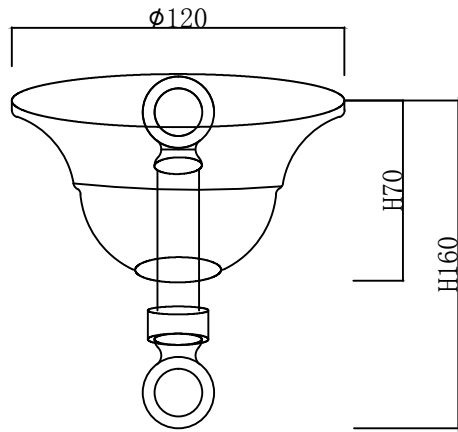
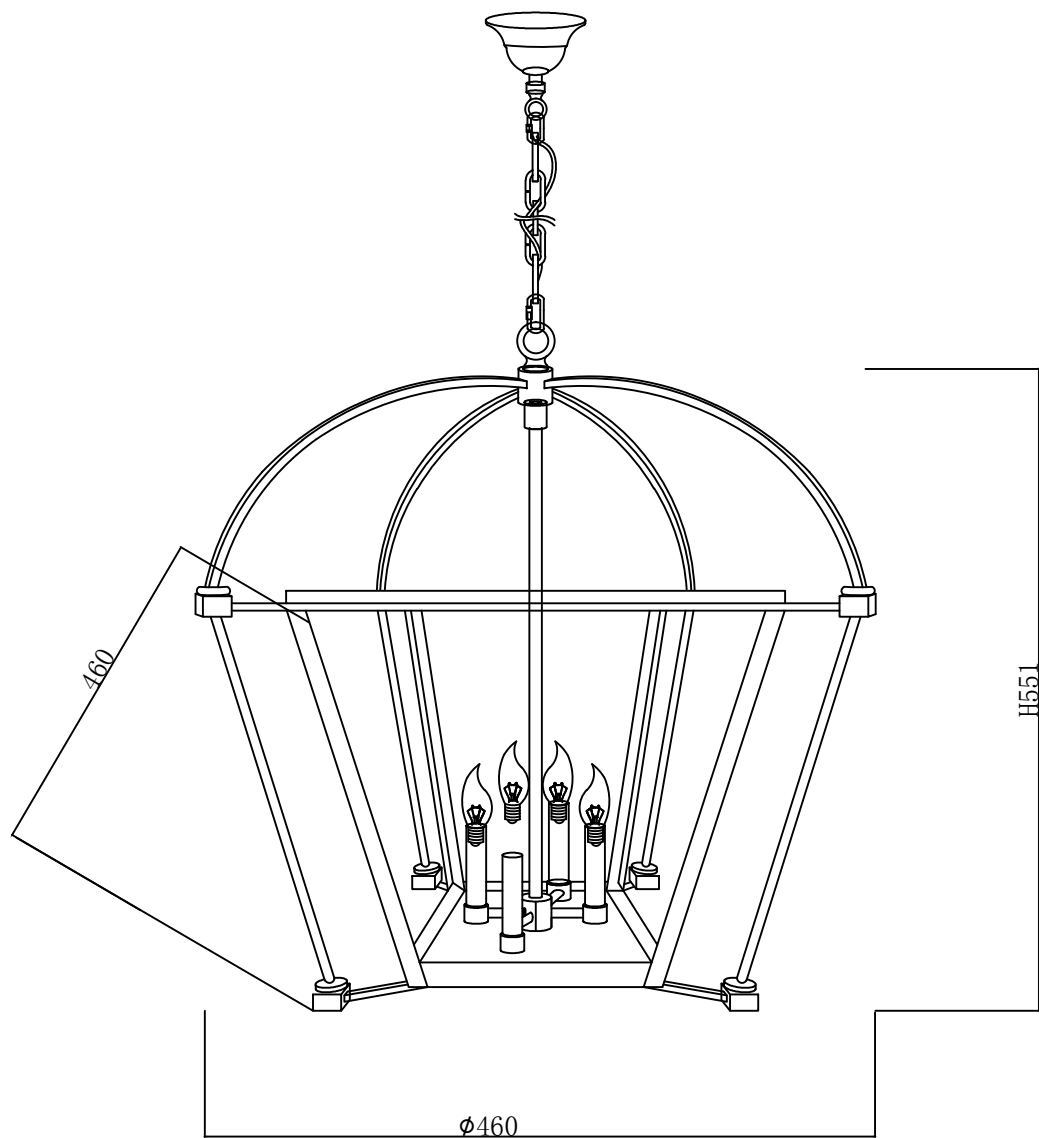


CEILING PAN SIZE:



FIXTURE SIZE:

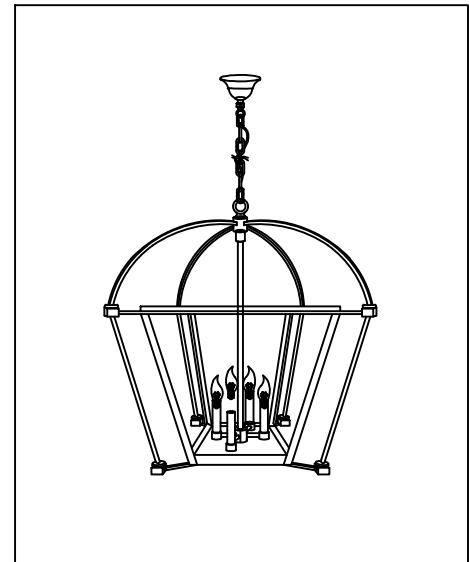
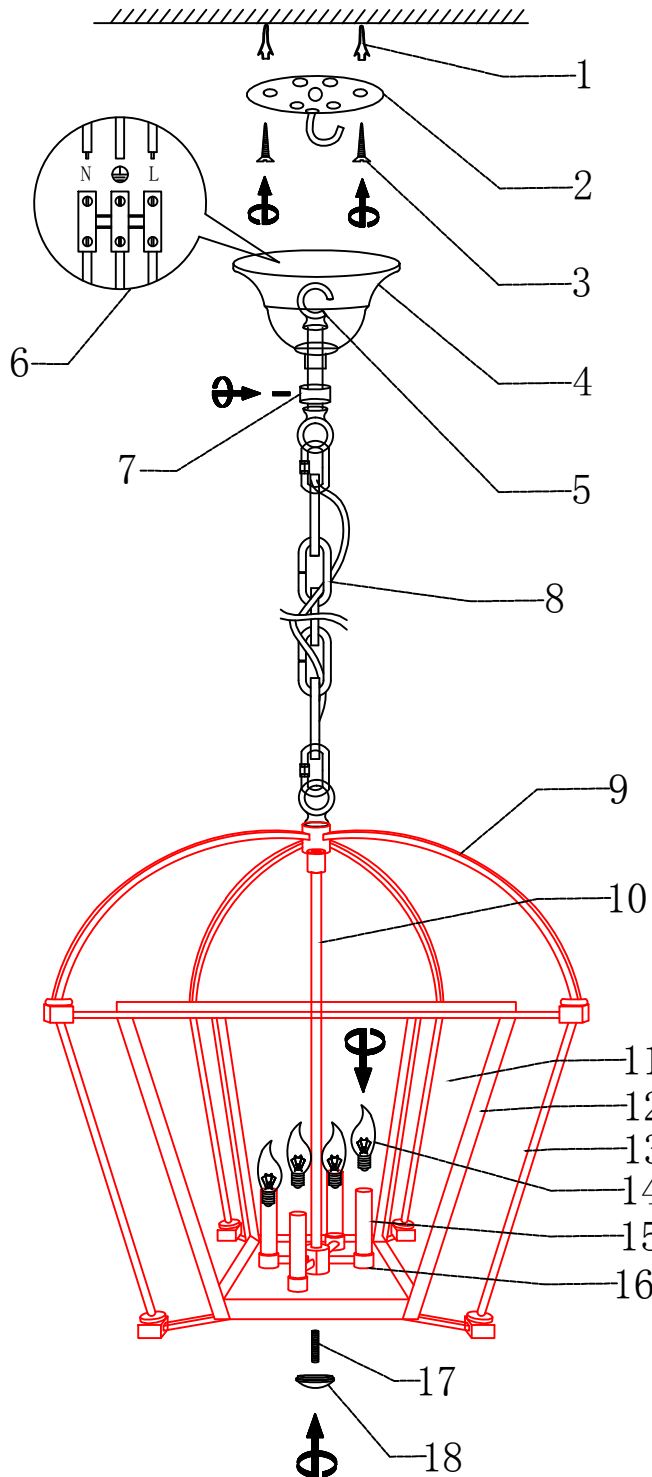


ENGLISH

Specification of installation

In order to ensure safety use, please notice the following items:

- Read and understand the whole specification.
- Suitable for the use of 220~240V and 50~60HZ.
- Please wear gloves as installment and avoid rot on the surface of plating.
- Must be installed on the fixed places and be checked annually.
- please turn off the lighting source by soft cloth as cleaning prohibited to use of rotted detergent.
- please connect with the local sales service center when there are any abnormality.



- 1 Wall anchor
- 2 Mounting
- 3 Self-tapping screw
- 4 Canopy
- 5 Ring
- 6 Terminal
- 7 Screw
- 8 Chain
- 9 Square pipe Bracket
- 10 Waterpipe
- 11 Glass
- 12 Steel bracket
- 13 Steel bracket
- 14 E14 bulb
- 15 Waterpipe
- 16 Arm
- 17 Threaded rod
- 18 Nut cap

Product coding: SORRENTO SP4