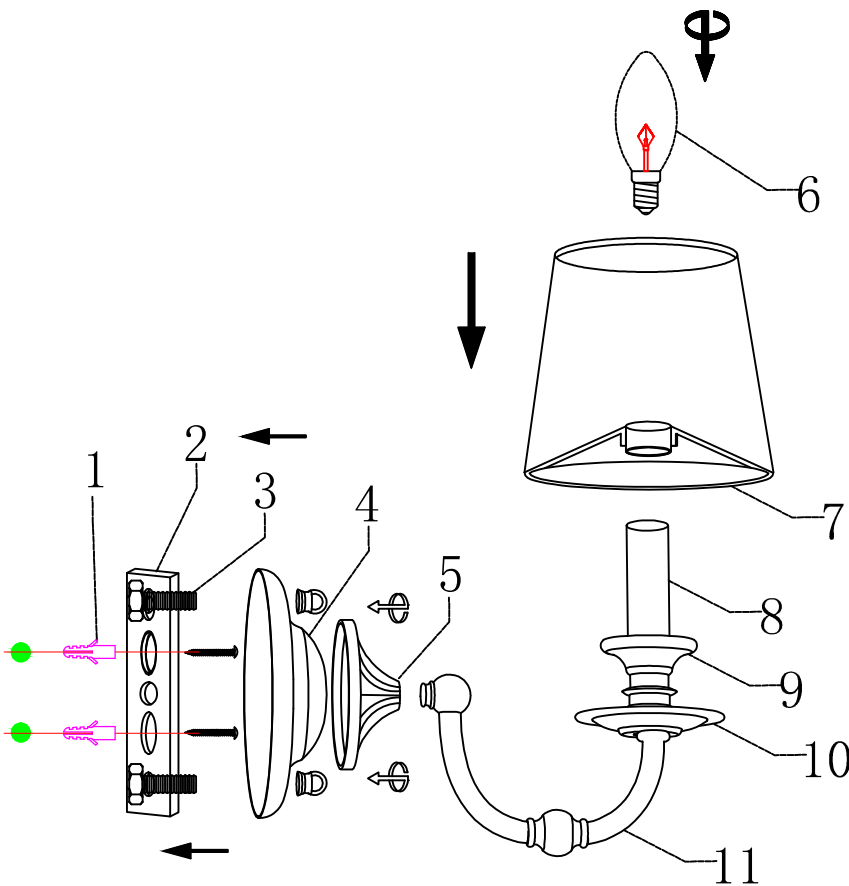
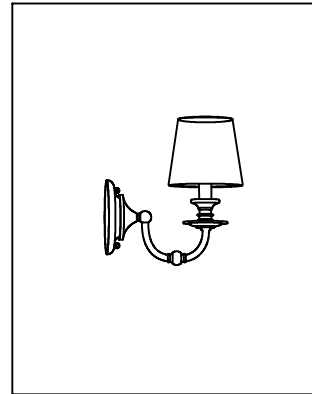


# ENGLISH

## Specification of installation

In order to ensure safety use, please notice the following items:

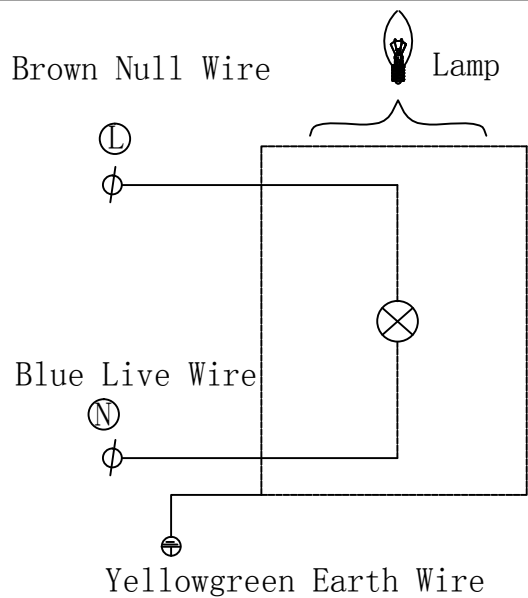
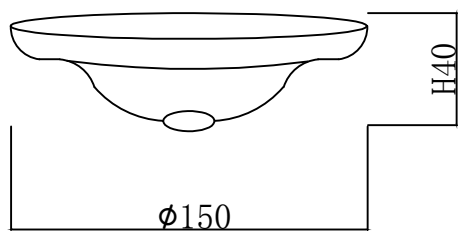
- Read and understand the whole specification.
- Suitable for the use of 220~240V and 50~60HZ.
- Please wear gloves as installment and avoid rot on the surface of plating.
- Must be installed on the fixed places and be checked annually.
- please turn off the lighting source by soft cloth as cleaning prohibited to use of rotted detergent.
- please connect with the local sales service center when there are any abnormality.



- 1 Wall anchor
- 2 Crossbar
- 3 Self-tapping screw
- 4 Canopy
- 5 Trumpet
- 6 E14 bulb
- 7 Shade
- 8 Waterpipe
- 9 Trumpet
- 10 Metal plate
- 11 Arm

Product coding: REEF AP1

# CEILING PAN SIZE:



# FIXTURE SIZE:

