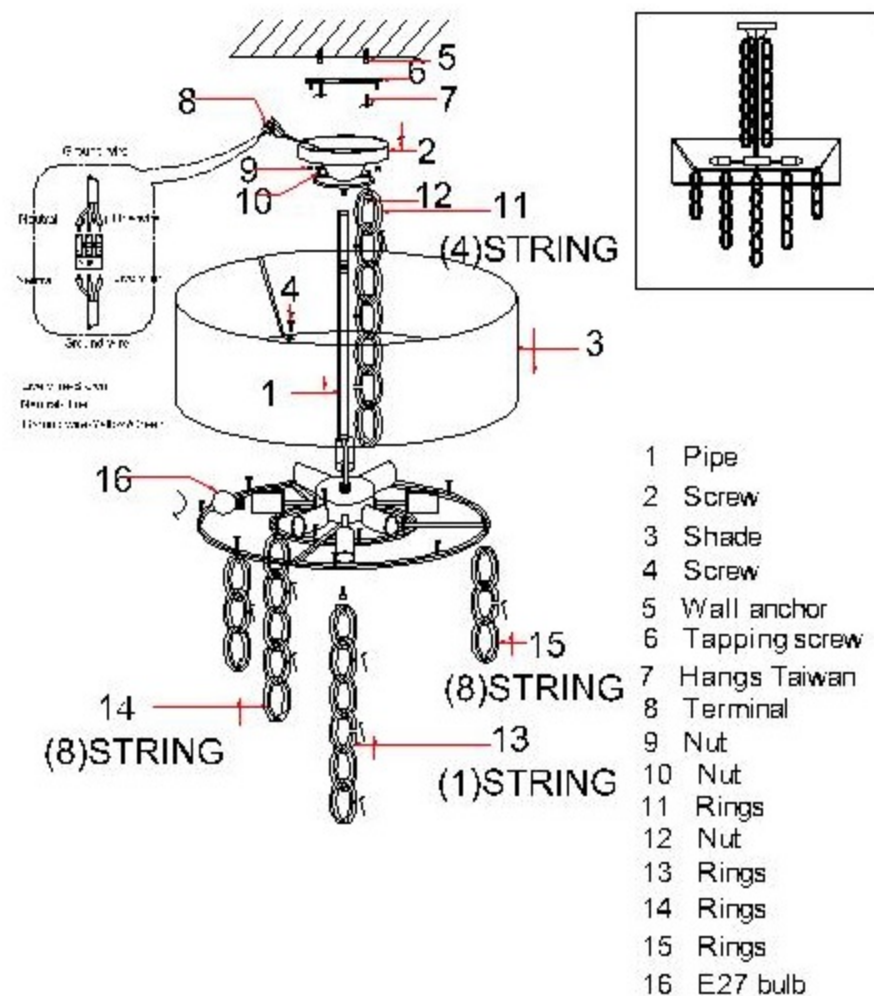


ENGLISH

Specification of installation

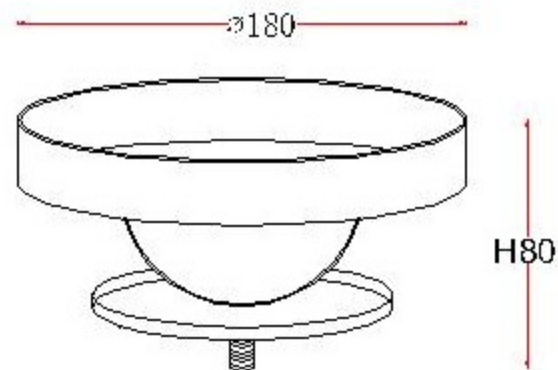
- In order to ensure safety use, please notice the following items
- Read and understand the whole Specification.
- Suitable for the use of 220-240V and 50-60HZ.
- Please wear gloves as installment and avoid rot on the surface of plating.
- Must be installed on the fixed places and be checked annually.
- Please turn off the lighting source by soft cloth as cleaning prohibited to use of rolled detergent.
- Please connect with the local sales service center when there are any abnormality.



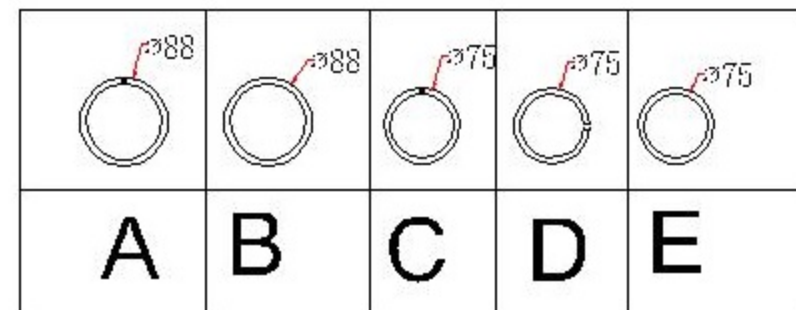
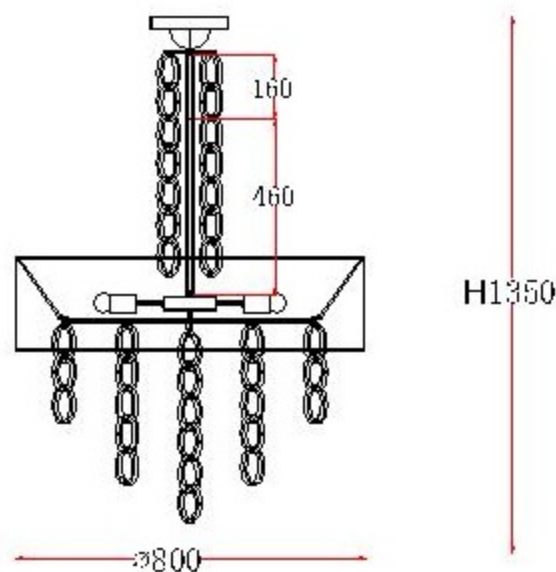
- 1 Pipe
- 2 Screw
- 3 Shade
- 4 Screw
- 5 Wall anchor
- 6 Tapping screw
- 7 Hangs Taiwan
- 8 Terminal
- 9 Nut
- 10 Nut
- 11 Rings
- 12 Nut
- 13 Rings
- 14 Rings
- 15 Rings
- 16 E27 bulb

Product coding: OLIMPO SP8

BASE SIZE



FIXTURE SIZE



11 (4)STRING	13 (1)STRING	14 (8)STRING	15 (8)STRING