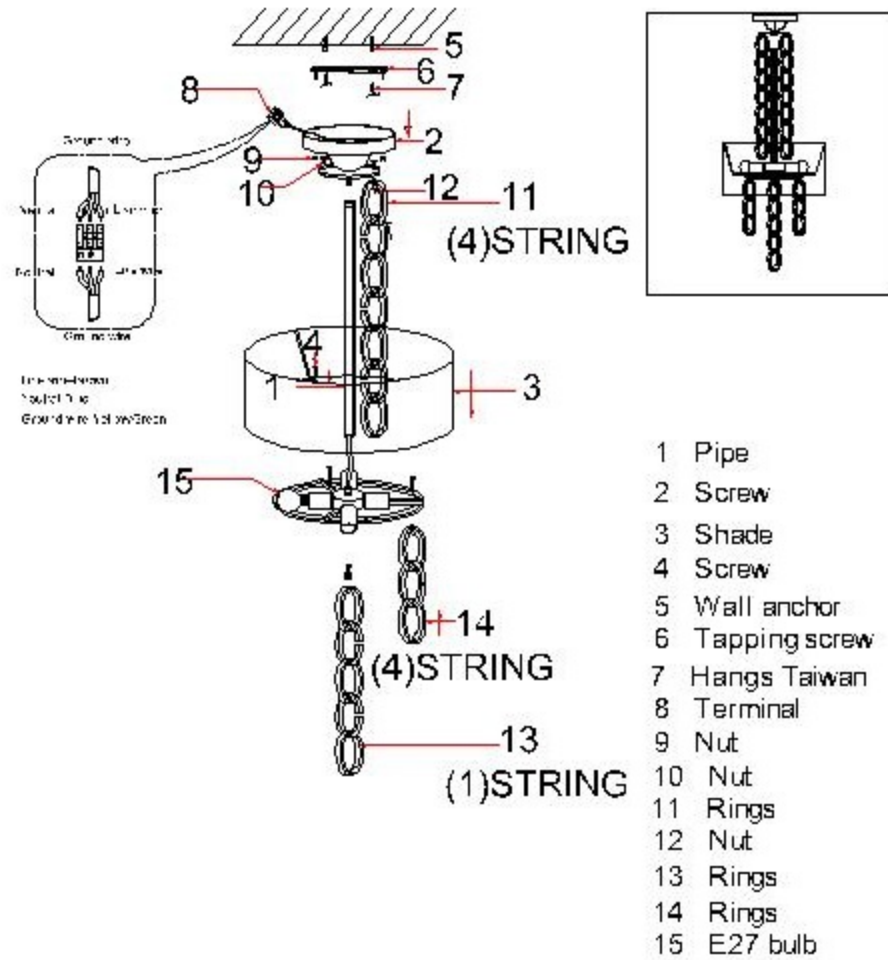


ENGLISH

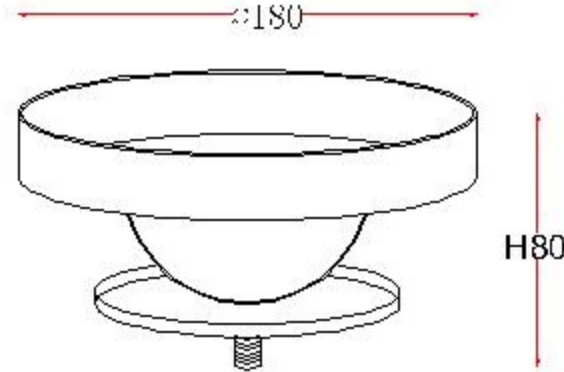
Specification of installation

- In order to ensure safety use, please notice the following items
- Read and understand the whole Specification.
- Suitable for the use of 220-240V and 50-60HZ.
- Please wear gloves as installation and avoid rot on the surface of plating.
- Must be installed on the fixed places and be checked annually.
- Please turn off the lighting source by soft cloth as cleaning prohibited to use of rolled detergent.
- Please connect with the local sales service center when there are any abnormality.



Product coding: OLIMPO SP4

BASE SIZE



FIXTURE SIZE

