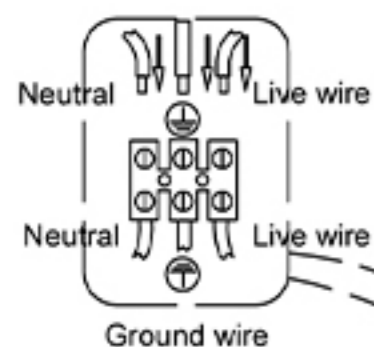


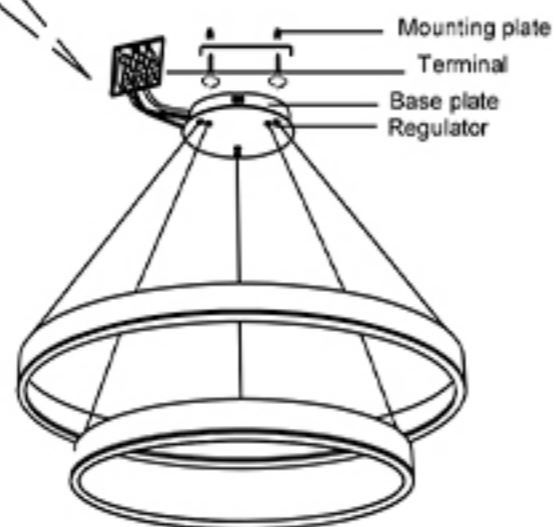
## Specification of installation

In order to ensure safety use, please notice the following items:

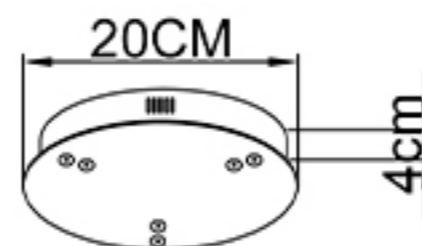
- Read and understand the whole Specification.
- Suitable for the use of 220-240V and 50-60Hz.
- Must be installed on the fixed places and be checked annually
- Please wear gloves as installment and avoid rot on the surface of plaetng.
- Please tum off the lighting source by soft cloth as cleaning prohibited to use of rotted detergent.
- Please connect with the local sales service center when there are any abnormality.



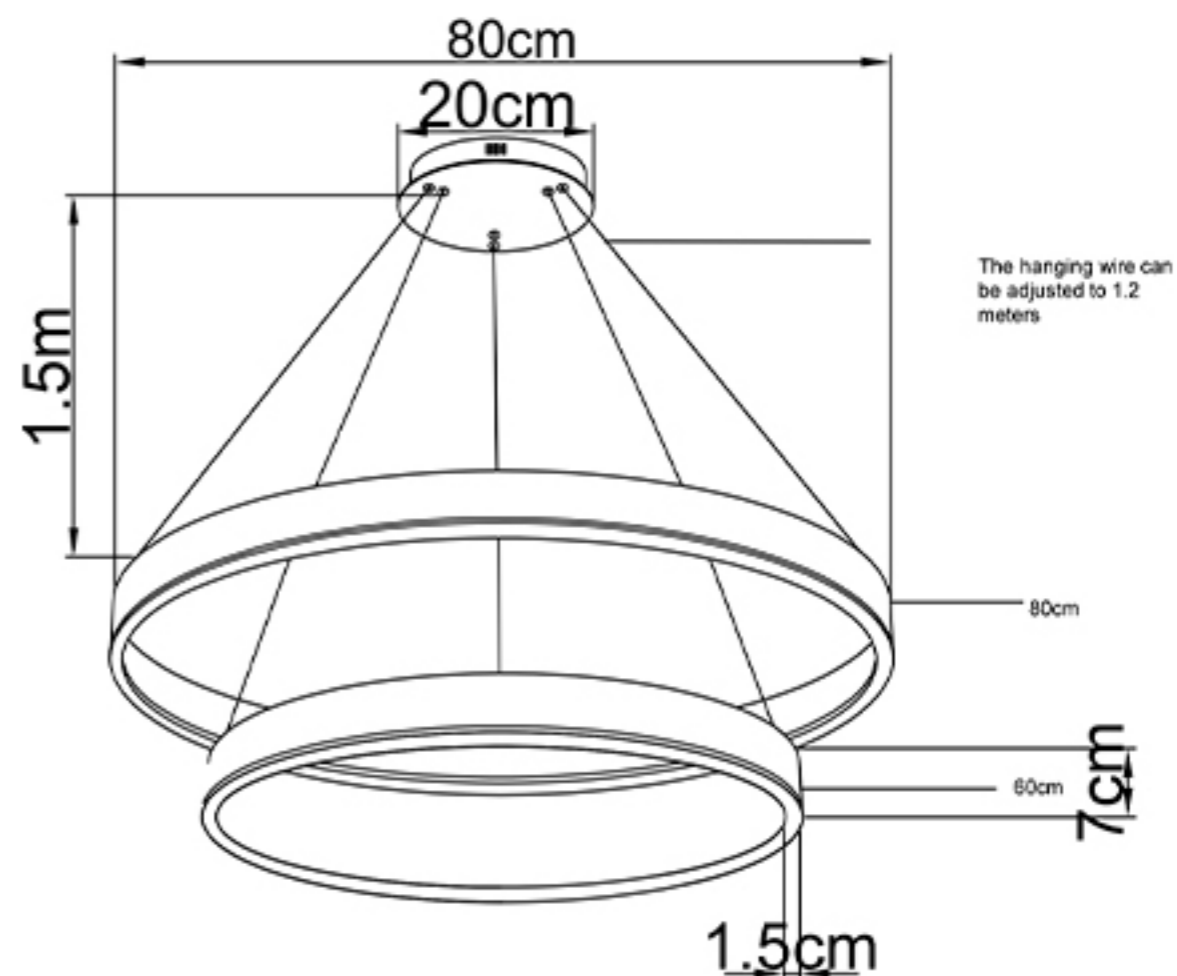
Live wire-Brown  
Neutral-Ligt Grey  
Ground wire-Yellow



## BASE SIZE:



## FITTURE SIZE



Product coding: MUCHOS SP123W LED D600+800