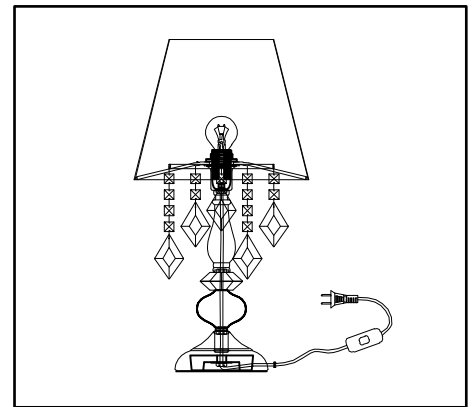
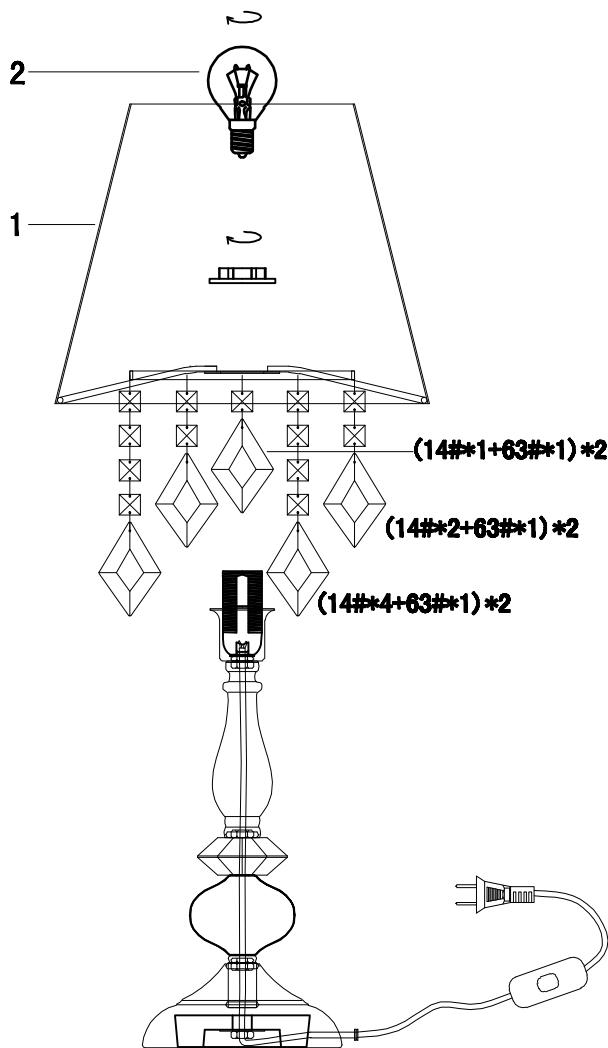


**ENGLISH**

**Specification of installation**


In order to ensure safety use, please notice the following items:

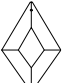
- Read and understand the whole Specification.
- Suitable for the use of 220~240V and 50~60Hz.
- Please wear gloves as installment and avoid rot on the surface of plating.
- Must be installed on the fixed places and be checked annually.
- Please turn off the lighting source by soft cloth as cleaning prohibited to use of rotted detergent.
- Please connect with the local sales service center when there are any abnormality.



**1 Shade**

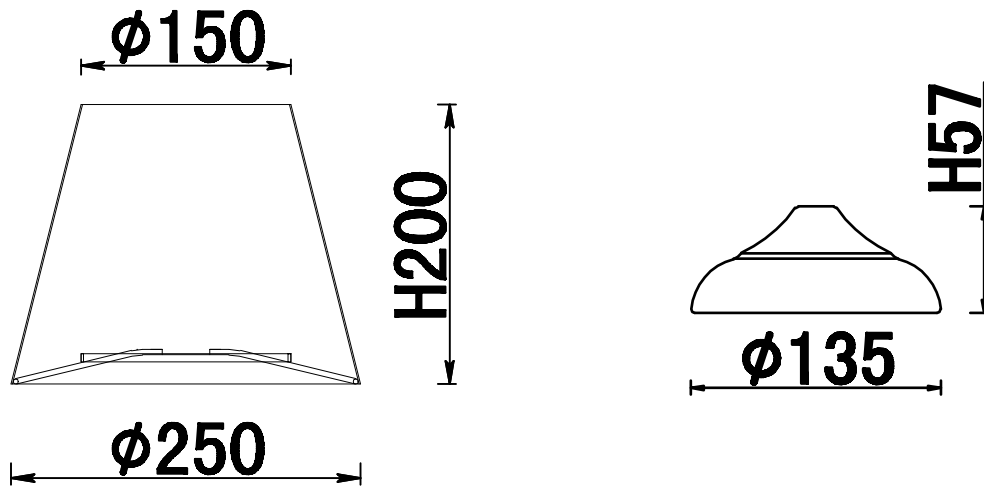
**2 E14 bulb**

14#\*14pcs  — 3 Crystal

63#\*6pcs  — 4 Crystal

**Product coding: MERCEDES LG1 GOLD/COLOR**

# BASE SIZE:



# FIXTURE SIZE:

