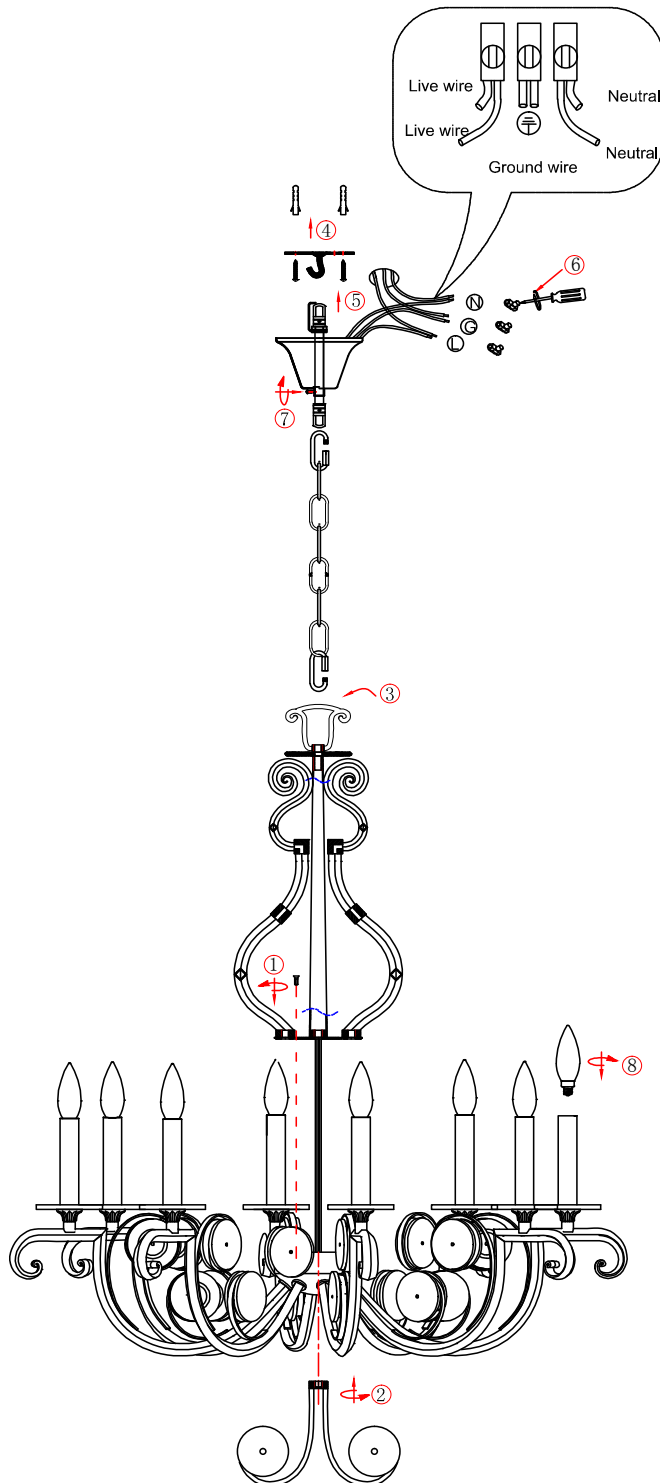


ENGLISH

Specification of installation

In order to ensure safety use, please notice the following items:

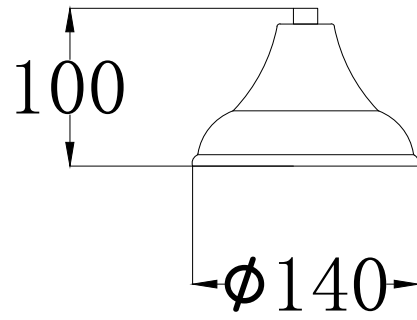
- . Read and understand the whole Specification.
- . Suitable for the use of 220-240V and 50-60Hz.
- . Please wear gloves as installment and avoid rot on the surface of plating.
- . Must be installed on the fixed places and be checked annually.
- . Please turn off the lighting source by soft cloth as cleaning prohibited to use of rotted detergent.
- . Please connect with the local sales service center when there are any abnormality.



- 1-2 Secure the decorative parts to the lamp body
- 3 Assemble one end of chain to fixture loop by opening quick link
- 4 Secure the bracket to the ceiling with appropriate screw fixings
- 5 Fasten the lamp body to bracket with the hook
- 6 Connect the house wiring to the terminal block
- 7 Move the ceiling cup back up the stem and secure with the grub screw

Product coding: MARIBEL SP8

BASE SIZE:



FIXTURE SIZE:

