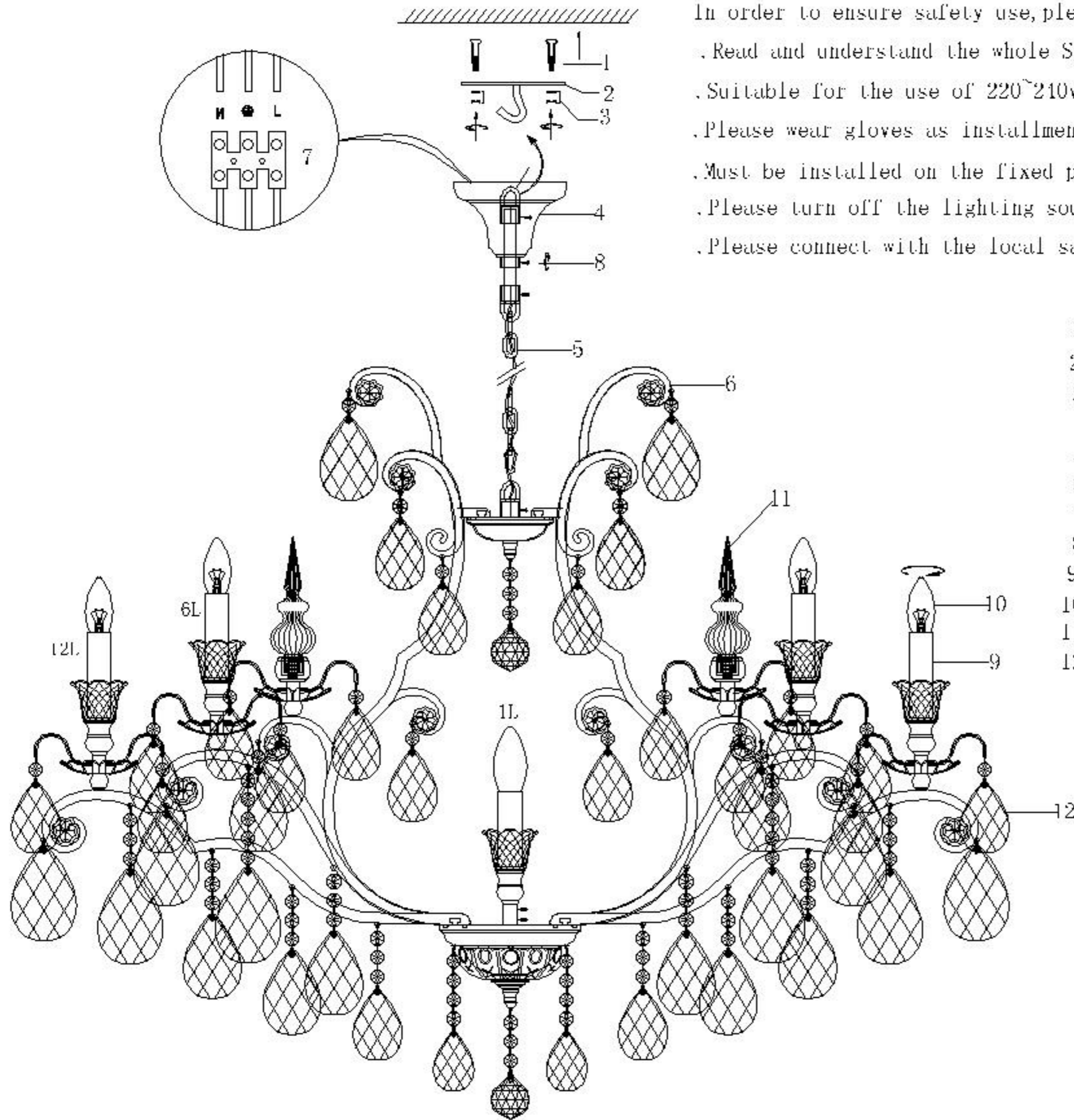


Specification of installation

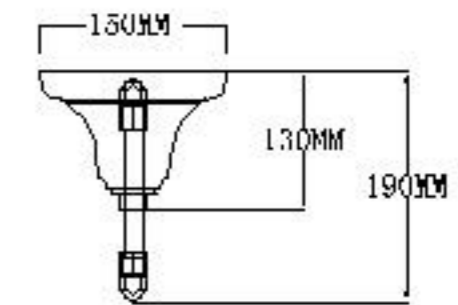
In order to ensure safety use, please notice the following items:

- . Read and understand the whole Specification.
- . Suitable for the use of 220~210v and 50~60Hz.
- . Please wear gloves as installment and avoid rot on the surface of plating.
- . Must be installed on the fixed places and be checked annually.
- . Please turn off the lighting source by soft cloth as cleaning prohibited to use of rotted detergent.
- . Please connect with the local sales service centhr when there are any abnormality.

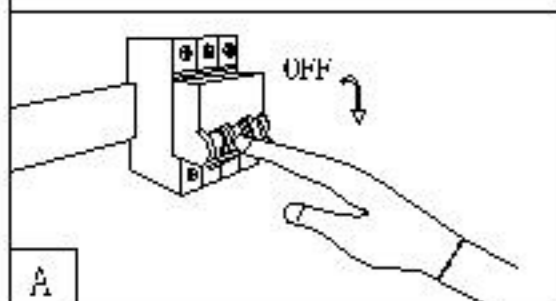
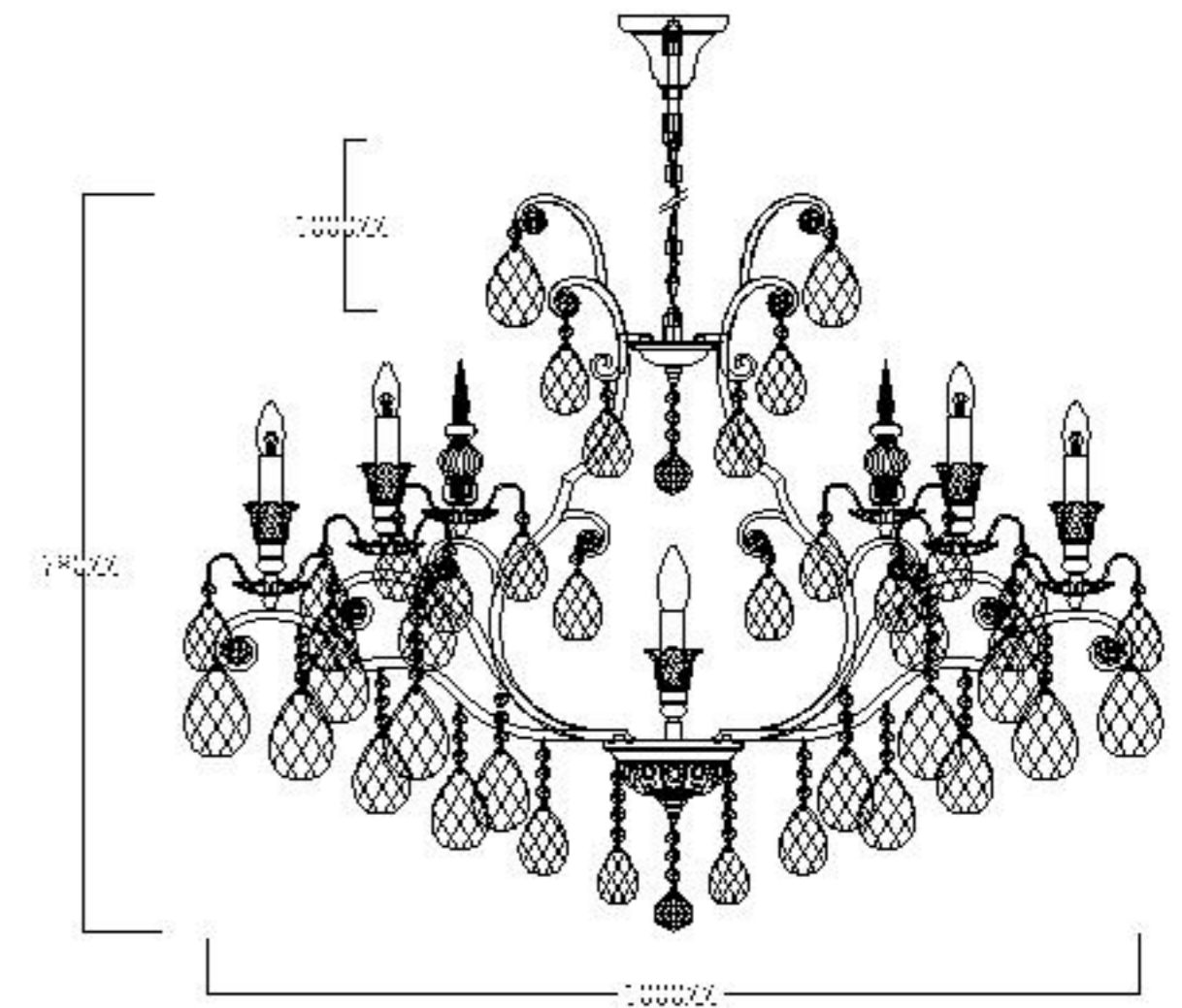


- 1: The explosion
- 2: Hangs Taiwan
- 3: Gasket, Nut
- 4: Bell, Derrick
- 5: Chain hoist
- 6: Lamp
- 7: Terminal
- 8: Screw
- 9: Casing
- 10: E11 bulb
- 11: Glass pagoda
- 12: Crystal

CEILING PAN SIZE



FIXTURE SIZE:



Product coding: MAGNIFICO SP19 BLACK/TRANSPARENT

