

ENGLISH

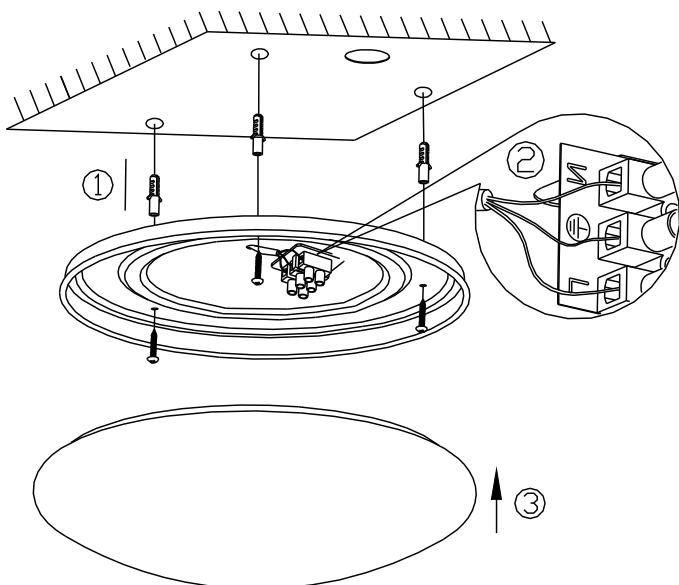
Specification of installation

In order to ensure safety use, please notice the following items:

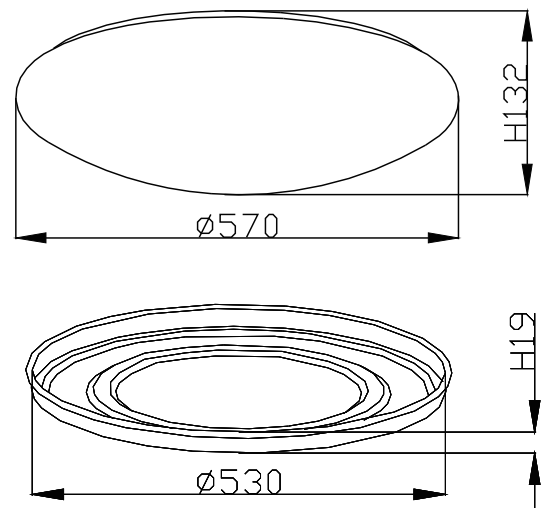
- Read and understand the whole Specification.
- Suitable for the use of 220~240V and 50~60Hz.
- Please wear gloves as in stallment and avoid rot on the surface of plating.
- Must be installed on the fixed places and be checked annually.
- Please turn off the light source by soft cloth as cleaning prohibited to use of rotted detergent.
- Please connect with the local sales service center when there are any abnormality.

Setting:

1. Fix the metal body to ceiling
2. Connect the wire to terminals
3. Fix up the cover of the PMMA



CEILING LIGHT SIZE(MM):



Product coding:Luna PL60