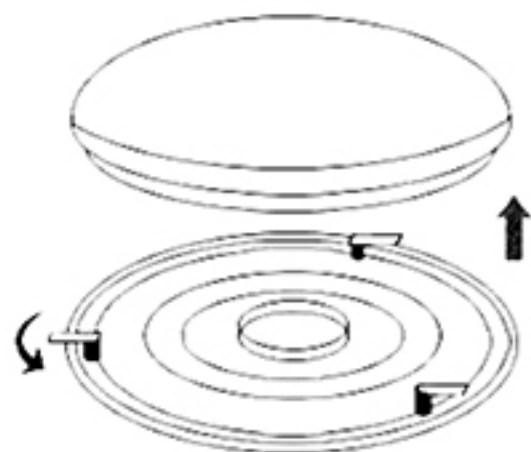


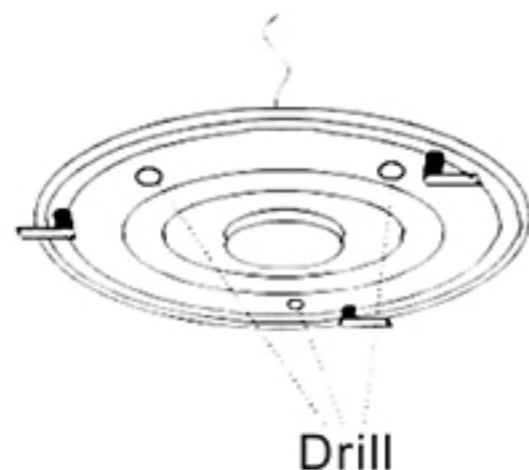
Specification of installation

In order to ensure safety use, please notice the following items:

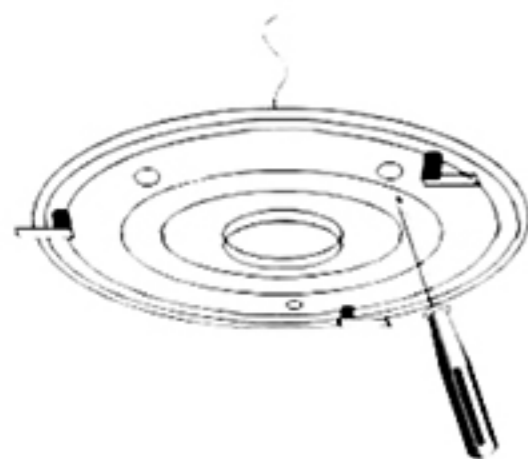
- Read and understand the whole Specification.
- Suitable for the use of 220-240V and 50-60Hz.
- Must be installed on the fixed places and be checked annually
- Please wear gloves as installment and avoid rot on the surface of painting.
- Please turn off the lighting source by soft cloth as cleaning prohibited to use of rotted detergent.
- Please connect with the local sales service center when there are any abnormality.



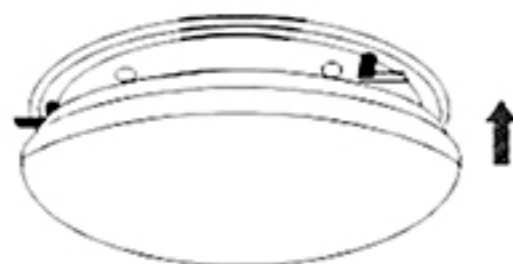
01. Remove the ceiling lamp shade



02. Drill a hole according to the location of the screw hole and connect the power supply

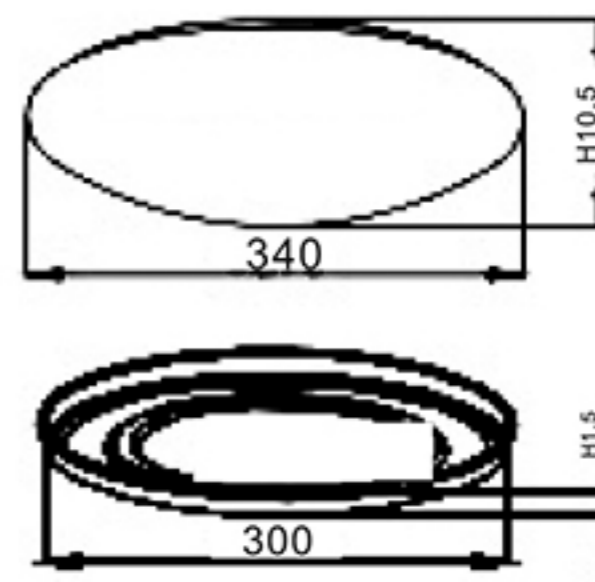


03. Fixed top suction chassis



04. Install the lampshade back into place

CEILING LIGHT SIZE(CM):



01. Remove the ceiling lamp shade
02. Drill a hole according to the location of the screw hole and connect the power supply
03. Fixed top suction chassis
04. Install the lampshade back into place