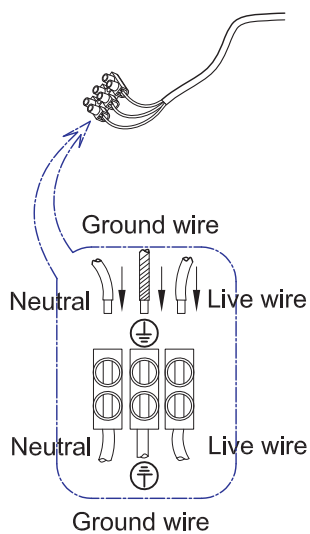
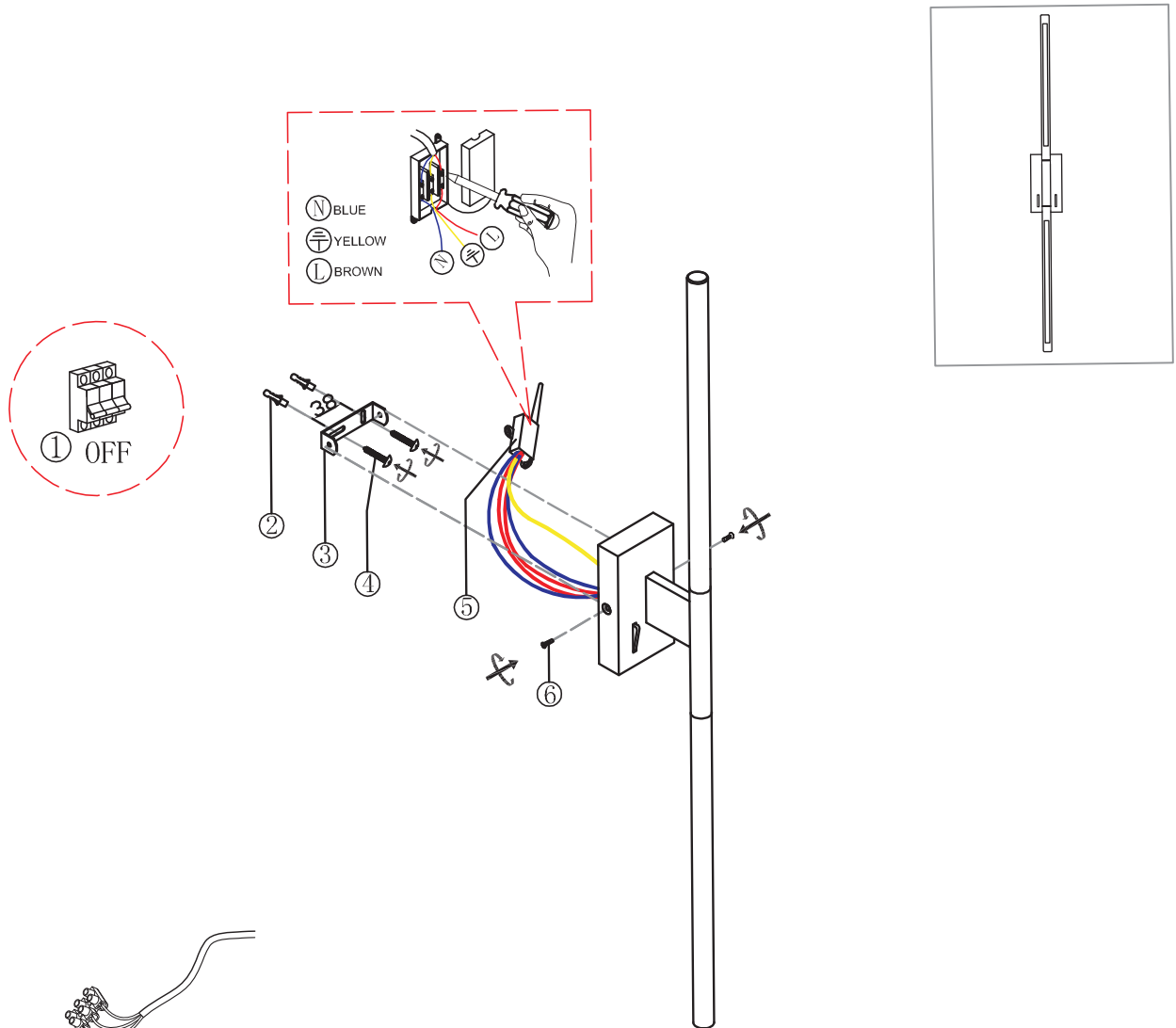


ENGLISH

Specification of installation

In order to ensure safety use, please notice the following items:

- Read and understand the whole Specification.
- Suitable for the use of 220~240V and 50~60Hz.
- Please wear gloves as installment and avoid rot on the surface of plating.
- Must be installed on the fixed places and be checked annually.
- Please turn off the lighting source by soft cloth as cleaning prohibited to use of rotted detergent.
- Please connect with the local sales service center when there are any abnormality.

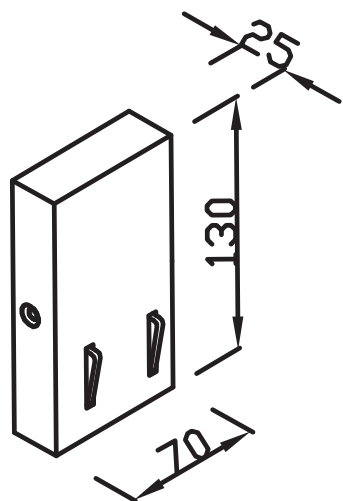


Live wire-Brown
Neutral-Light grey
Ground wire-Yellow

- 1.AC switch
- 2.Wall anchor
- 3.Hanging board
- 4.Self-tapping screw
- 5.Junction box
- 6.Screw

Product coding:LARGO AP12W
BLACK

WALL OF THE BOX SIZE:



FIXTURE SIZE:

