

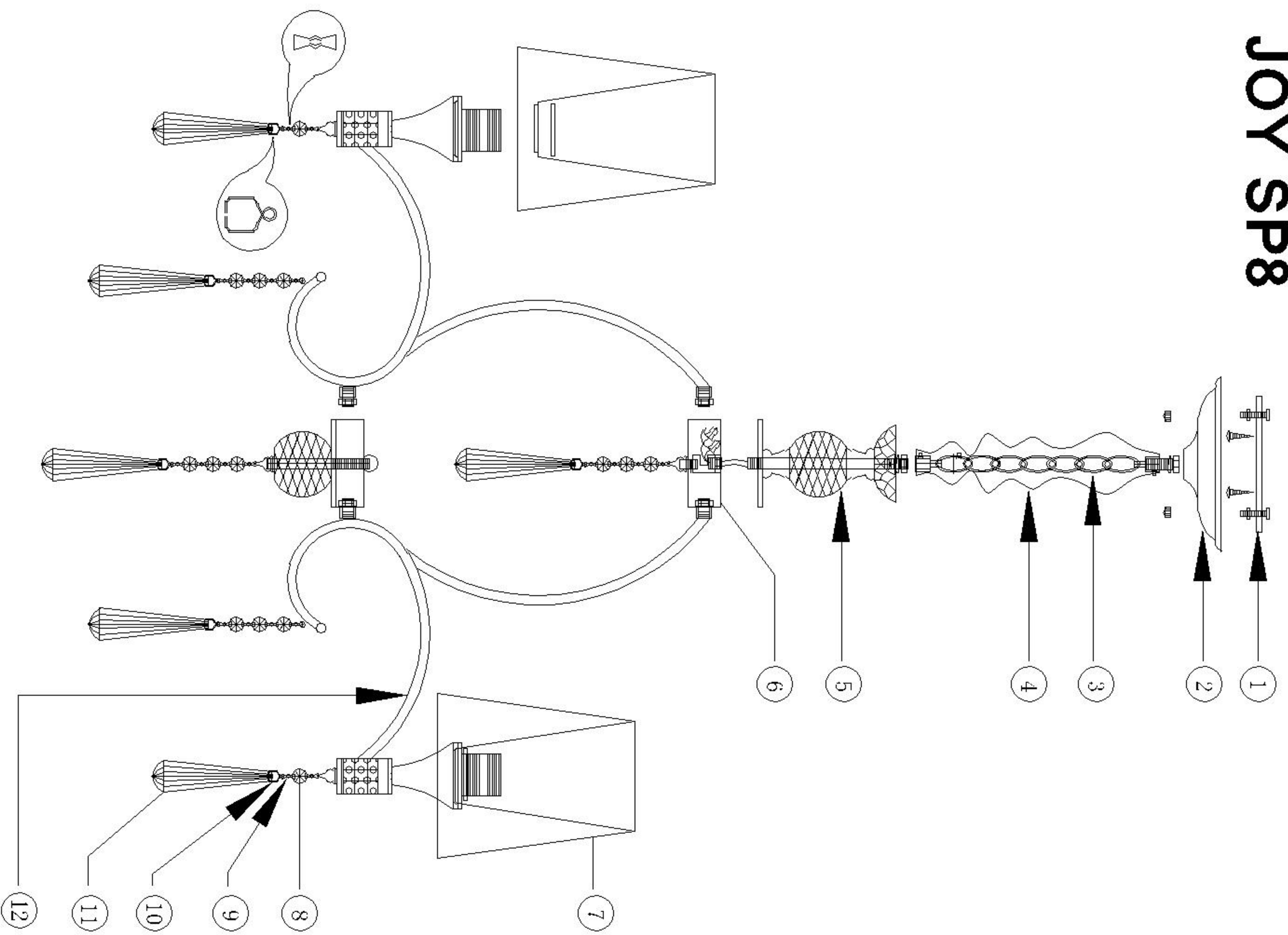
ENGLISH

Specification of installation

In order to ensure safety use, please notice the following items:

- Read and understand the whole Specification.
- Suitable for the use of 220-240V and 50-60Hz.
- Please wear gloves as installation and avoid rot on the surface of plating.
- Must be installed on the fixed places and be checked annually.
- Please turn off the lighting source by soft cloth as cleaning prohibited to use of rotted detergent.
- Please connect with the local sales service center when there are any abnormality.

JOY SP8



- ① wall anchor
- ② ceiling pan
- ③ chain
- ④ chain cover
- ⑤ ball
- ⑥ body
- ⑦ shade
- ⑧ arm

CEILING PAN SIZE:

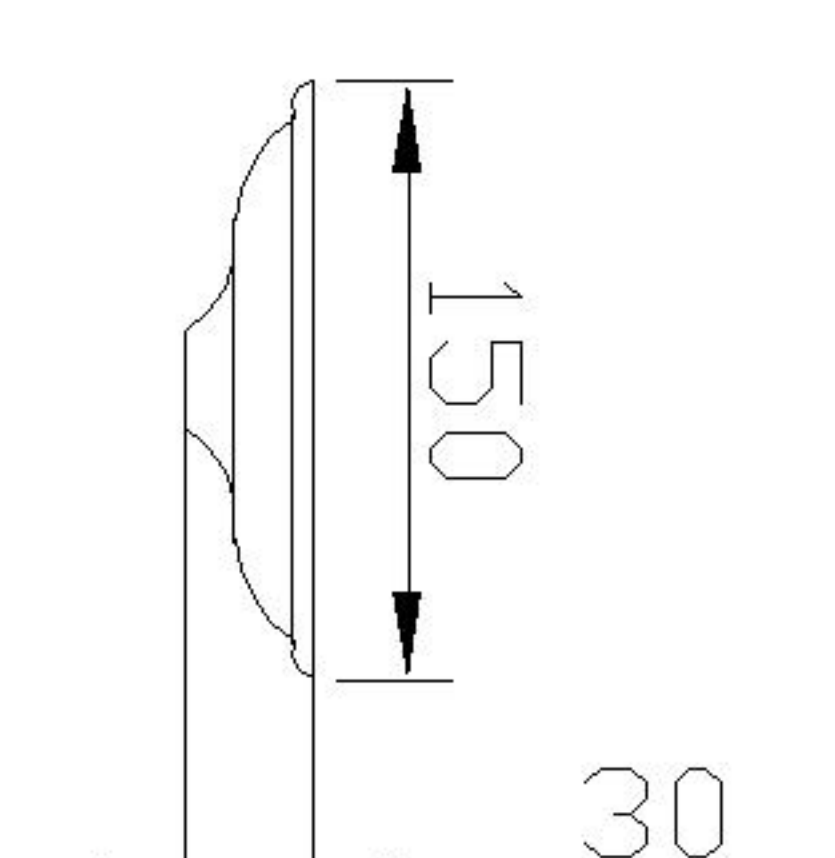


FIGURE SIZE:

