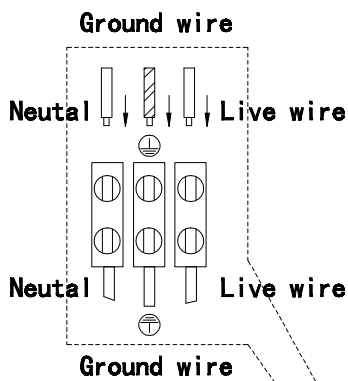


ENGLISH

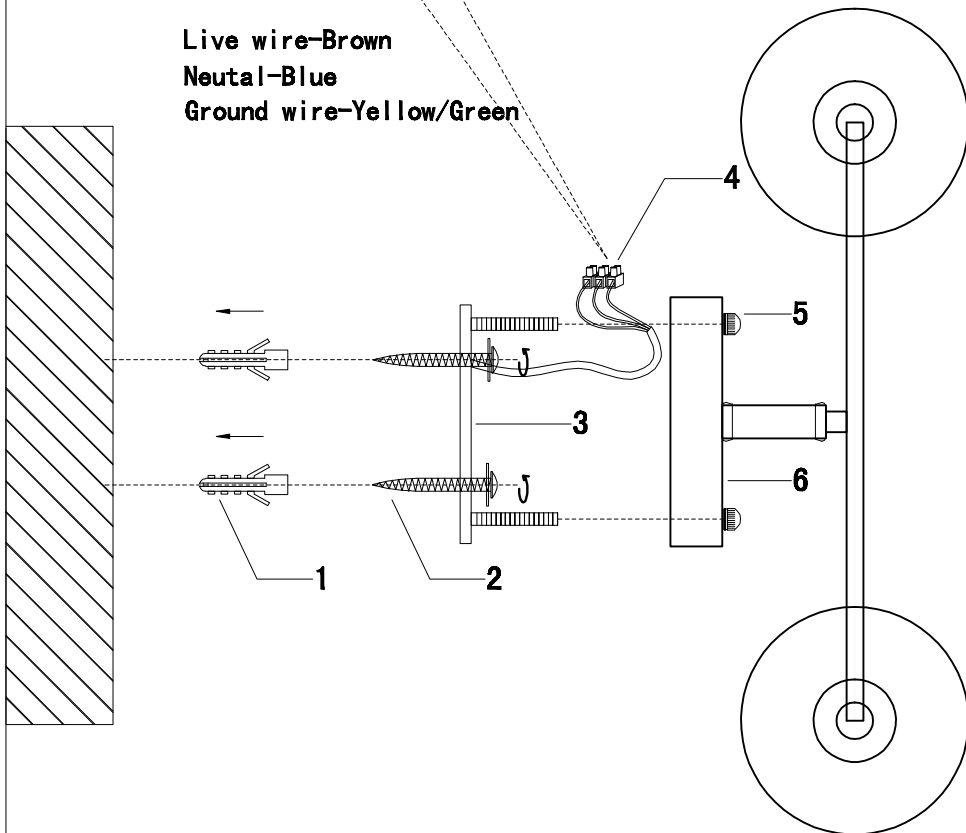
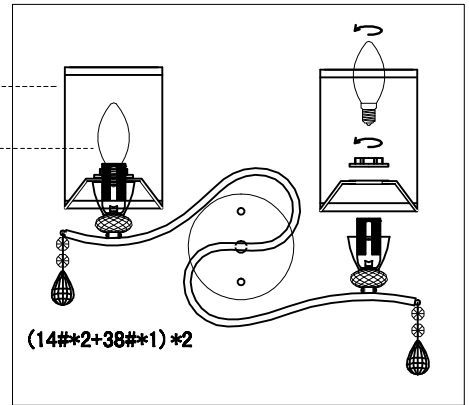
Specification of installation

In order to ensure safety use, please notice the following items:

- Read and understand the whole Specification.
- Suitable for the use of 220~240V and 50~60Hz.
- Please wear gloves as installment and avoid rot on the surface of plating.
- Must be installed on the fixed places and be checked annually.
- Please turn off the lighting source by soft cloth as cleaning prohibited to use of rotted detergent.
- Please connect with the local sales service center when there are any abnormality.



Live wire-Brown
Neutral-Blue
Ground wire-Yellow/Green



- 1 Wall anchor
- 2 Self-tapping screw
- 3 Mounting
- 4 Terminal
- 5 Round nuts
- 6 Wall socket
- 7 Cover
- 8 E14 bulb

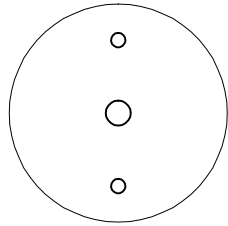
14#*4pcs ⊗ — 9 Crystal

38#*2pcs 🍈 — 10 Crystal

Product coding:ELISA AP2

BASE SIZE:

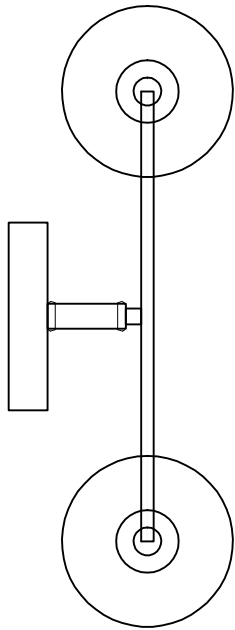
$\phi 120$



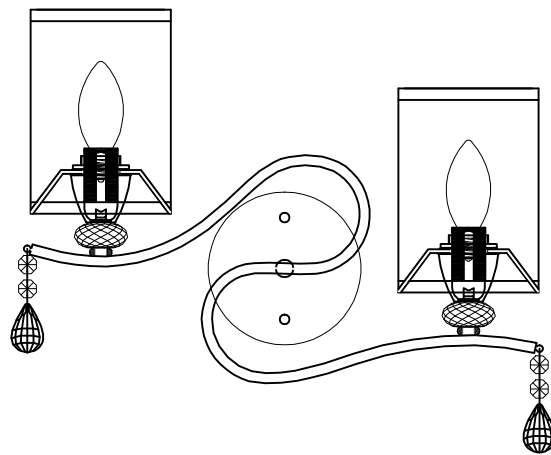
H25



FIXTURE SIZE:



$\phi 144$



$\phi 407$

H347