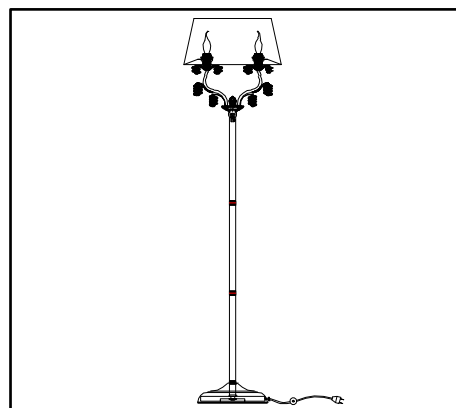
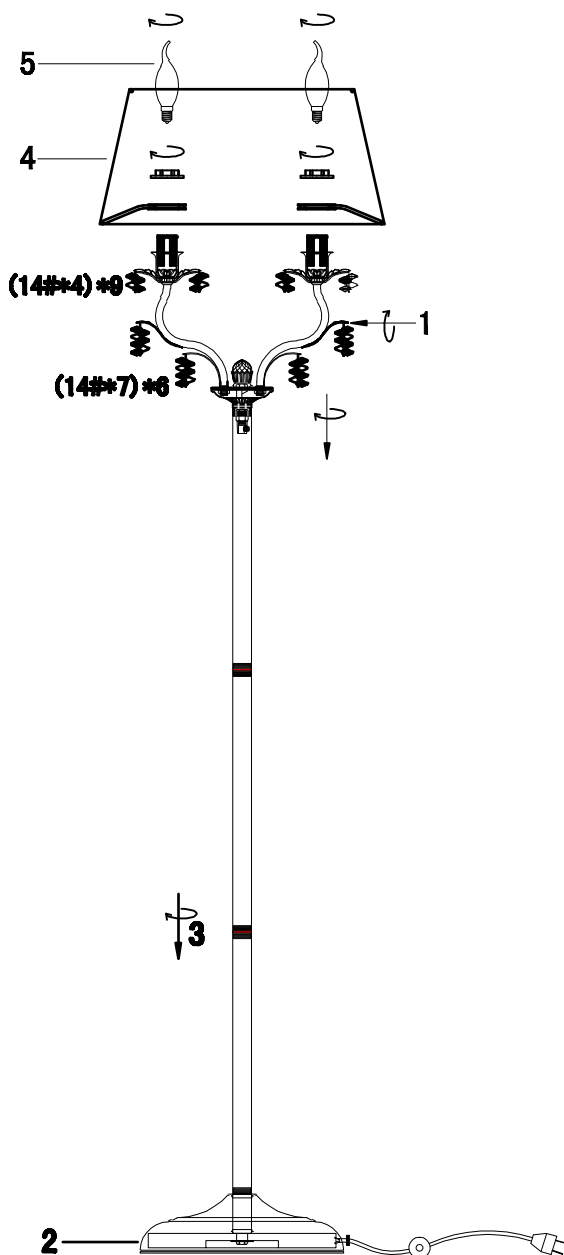





ENGLISH

Specification of installation

In order to ensure safety use, please notice the following items:

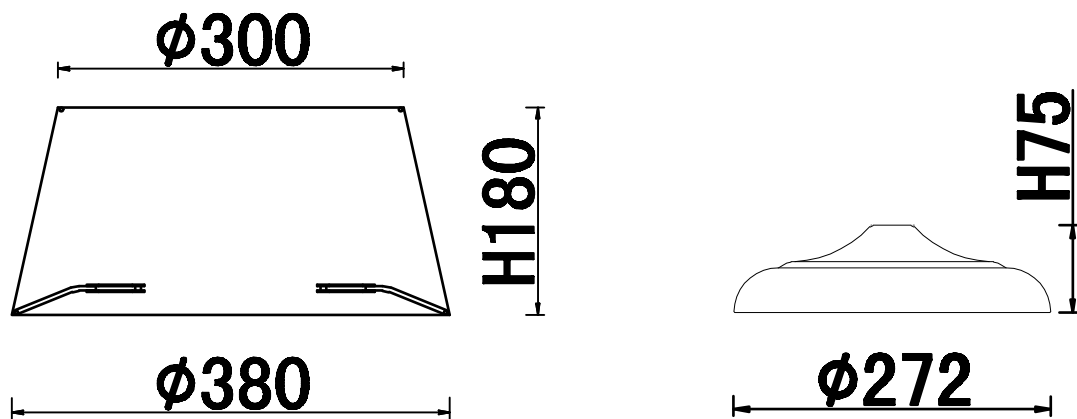
- Read and understand the whole Specification.
- Suitable for the use of 220-240V and 50-60Hz.
- Please wear gloves as installment and avoid rot on the surface of plating.
- Must be installed on the fixed places and be checked annually.
- Please turn off the lighting source by soft cloth as cleaning prohibited to use of rotted detergent.
- Please connect with the local sales service center when there are any abnormality.



- 1 Iron arm
- 2 Base
- 3 Iron tube
- 4 Shade
- 5 E14 bulb
- 14#*21pcs  6 Crystal
- 14#*21pcs  7 Crystal
- 14#*38pcs  8 Crystal

Product coding: CRISTINA PT3 WHITE

BASE SIZE:



FIXTURE SIZE:

